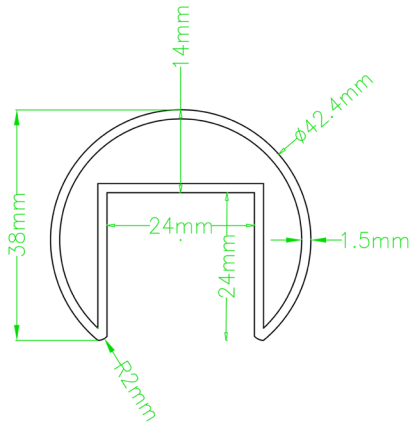


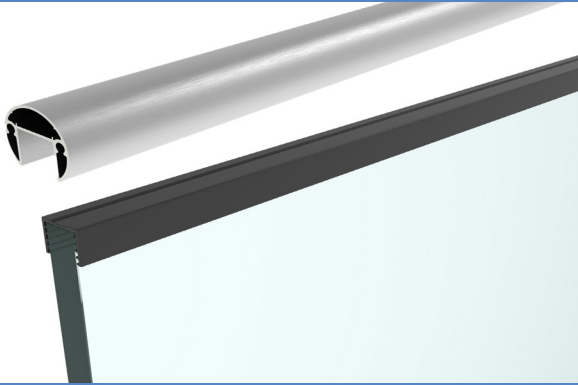
# HANDRAIL

## INSTALLATION GUIDE



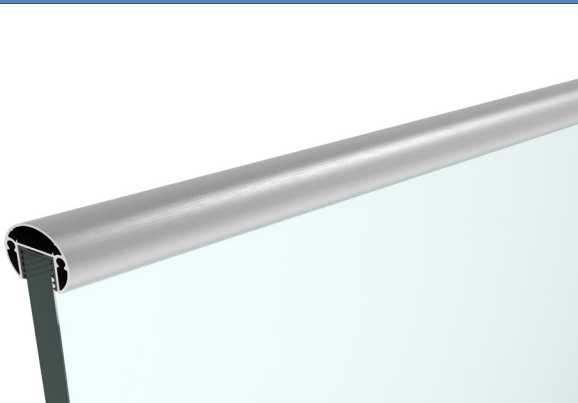
### Handrail

The handrail is produced in a 316 stainless steel tube, the diameter is 42.4mm, 48.3mm or 60mm and has a wall thickness of 1.5mm with a 27mm wide square slot for 42.4 and 48.3 and a 34mm slot for the 60mm handrail. The handrail is available in Satin or mirror polish finish, all corresponding accessories are also available in both finishes.



### Gasket

To secure the glass to the handrail adequately, we supply a gasket to suit the glass thickness. Please ensure you purchase the correct gasket for the glass thickness. The gasket changes thickness to allow multiple glass sizes to fit within the same size handrail while providing good rigidity.



### Instalment

Simply push the gasket onto the top of the glass. Next, wipe a small amount of soapy water along the length of gasket. This helps the handrail fitting easier. Now, just slot the handrail on top by pressing firmly down.

We recommend periodically cleaning the handrail with non-abrasive cleaning agents and a soft cloth. This will remove any deposits on the handrail without damaging it.

Installation in coastal areas or by swimming pools will need to have increased cleaning. Salt will start to corrode the handrail quicker in these locations, this can be reduced by more regular cleaning.

Should any problems arise or you have any questions please don't hesitate to contact us:

T: +44 (0)1208 261 040

E: [sales@pure-vista.com](mailto:sales@pure-vista.com)

[www.pure-vista.com](http://www.pure-vista.com)