



# POSIONE

## INSTALLATION GUIDE

**BOLT & BAR**

**CLAMP**

**SLIDER**

**ISOLATOR**

**RIGID OUTER  
BEAD**

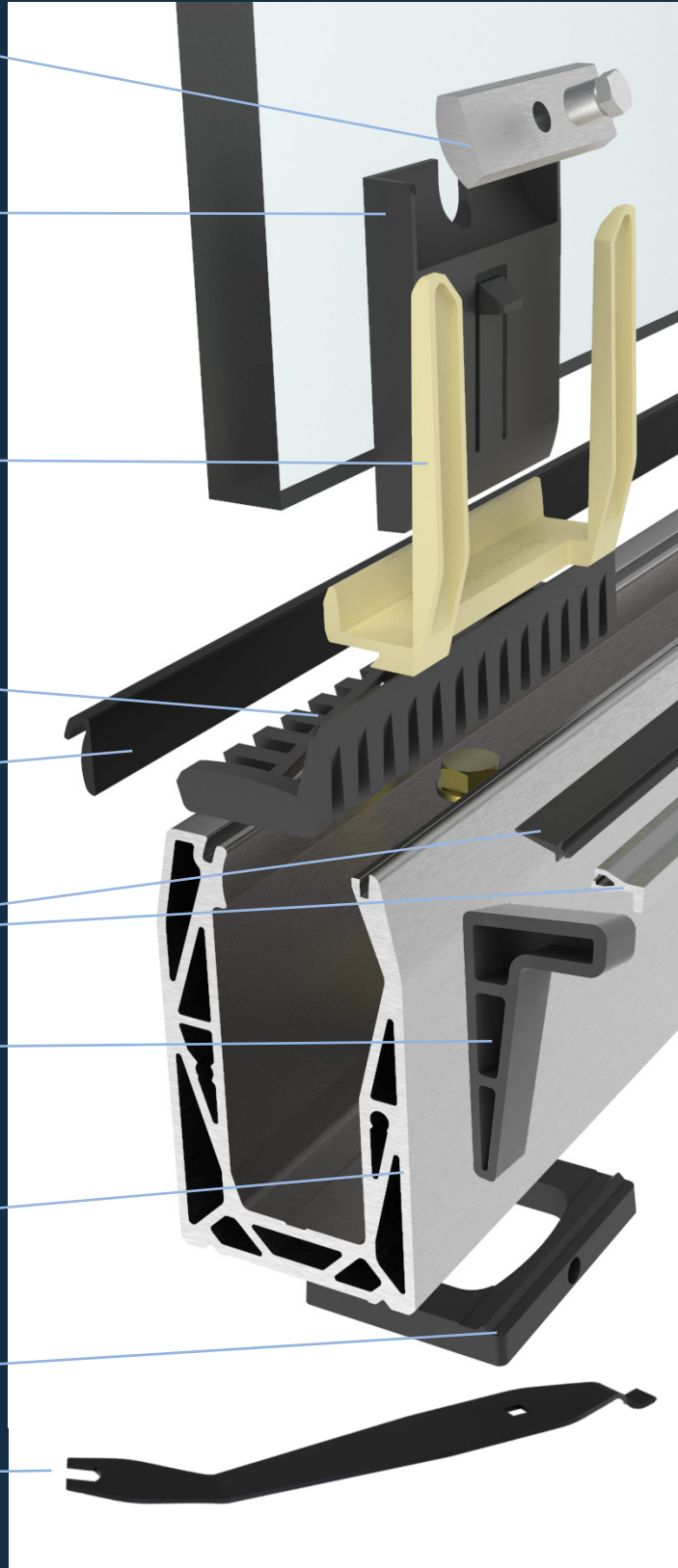
**TOP BEAD &  
GASKET**

**WEDGE TOOL**

**POSione  
CHANNEL**

**DRAIN BLOCK**

**SPANNER**





# POSIONE

## INSTALLATION GUIDE

### Safety

Gloves for handling Glass  
Eye protection goggles  
Ear protection

### Tools

Drill & suitable drill bits  
Spirit level  
Tape measure  
Hole blower (concrete fixings)  
Hammer  
Socket set 1/2inch  
Torque wrench 1/2  
Blocks to support glass  
Quick grip  
POSI Spanner  
Glass cleaner and rag

Should any problems arise or you have any questions  
please don't hesitate to contact us:

T: +44 (0)1208 261 040

F: +44 (0)1208 261 041

E:- [sales@pure-vista.com](mailto:sales@pure-vista.com)

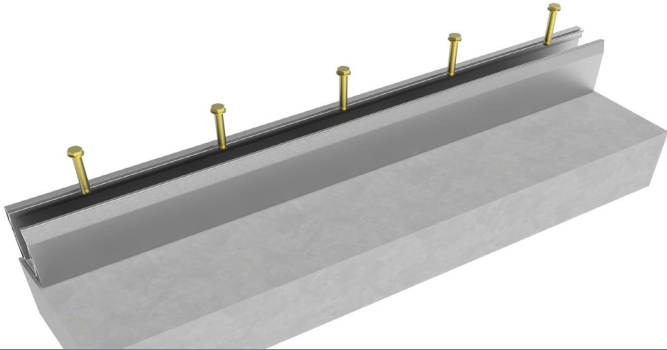
[www.pure-vista.co](http://www.pure-vista.co)



# POSIONE

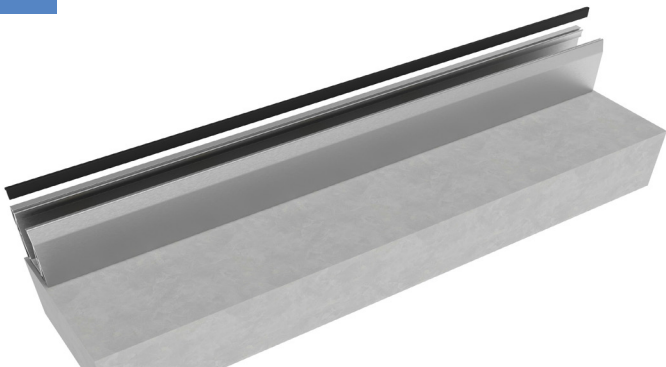
## INSTALLATION GUIDE

1.



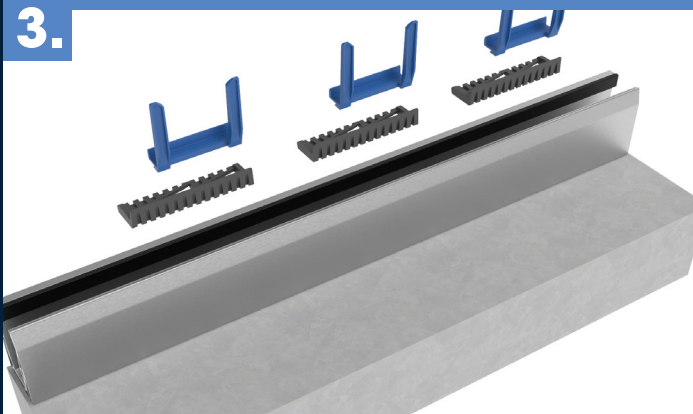
Fix the channel to the substrate using M12 bolts. Make sure the channel is fitted with the widest side closest to the outside edge.

2.



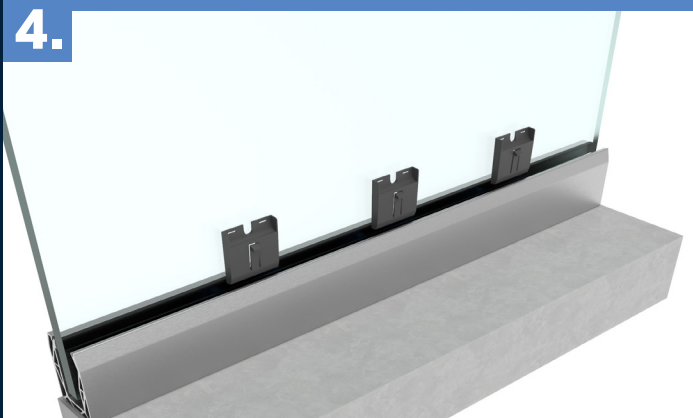
Attach the rigid adjustment bead to the outer edge.

3.



Place the isolator and slider into the channel with the wings on the inside edge and the slider positioned to the right of the isolator.

4.



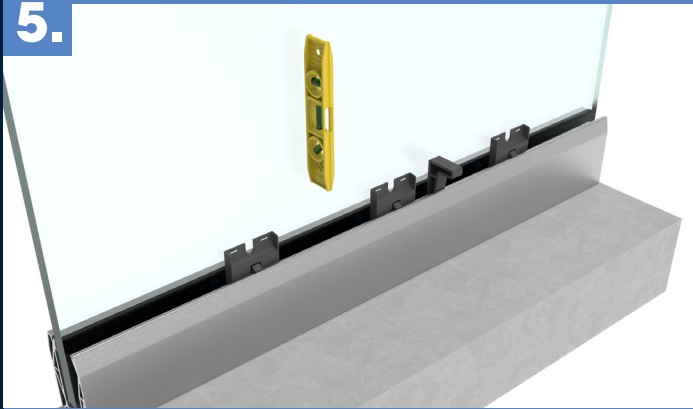
Lower the glass into the channel and then push in the clamp. Make sure each clamp is between the wings of a slider.



# POSIONE

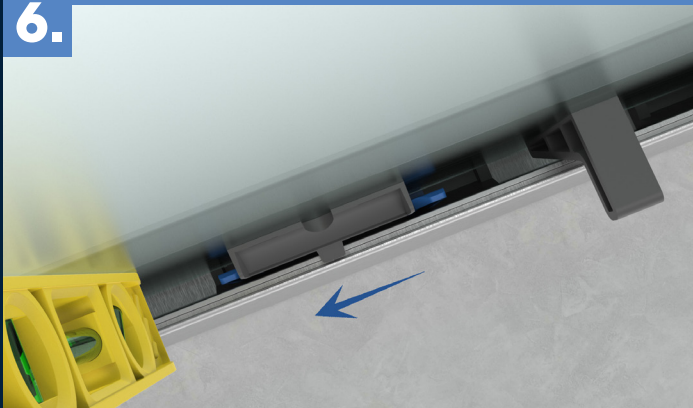
## INSTALLATION GUIDE

5.



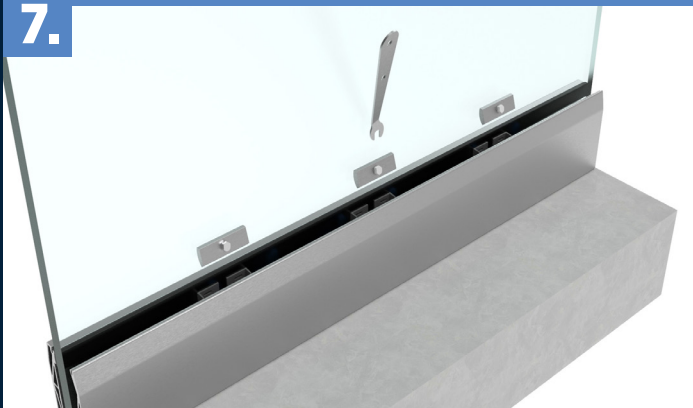
Insert one wedge tool at each end of the pannel and manoeuvre the glass into the desired position by hand.

6.



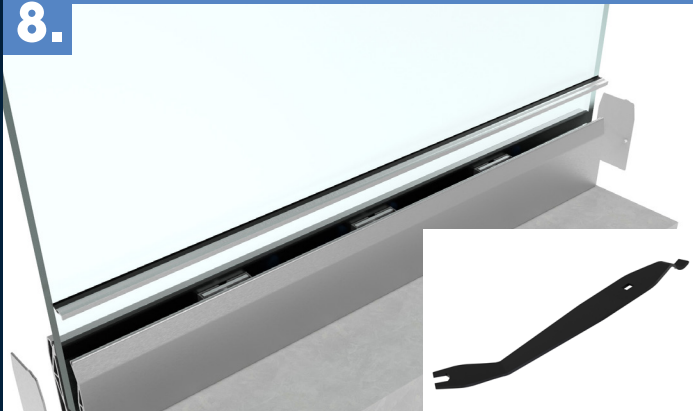
Slide the clamps to the left so the slider is tight. Press the clip on the clamp and push down into the channel. Leave the wedge tools in until the bolts have been tightened.

7.



Insert the clamp bars and bolts and tighten them against the channel by unwinding the bolt.

8.



Add the top bead, gasket and endcaps to finish the installation.

For deglazing: use the hook on the spanner to lift out the clamps before removing the glass.