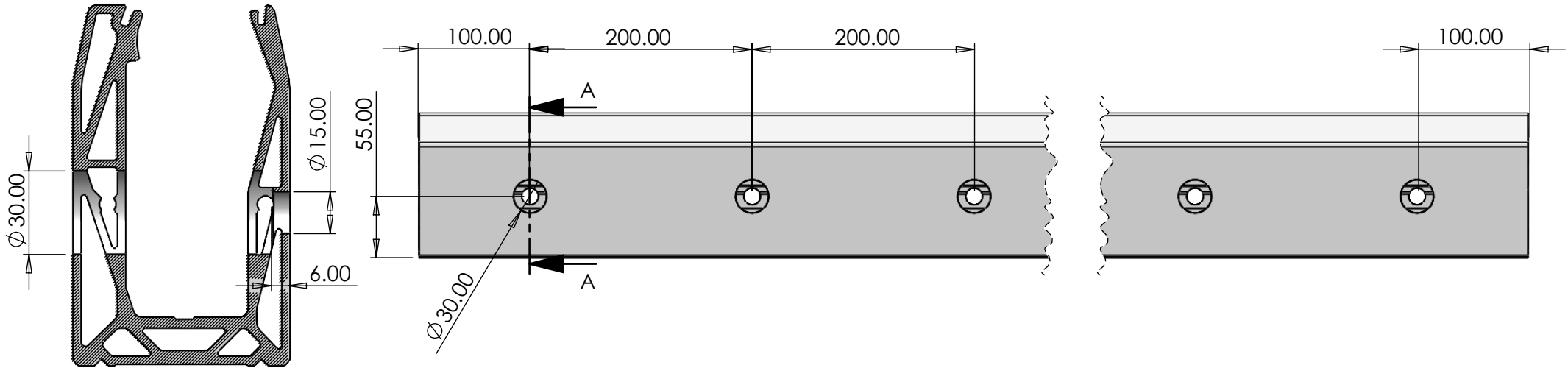


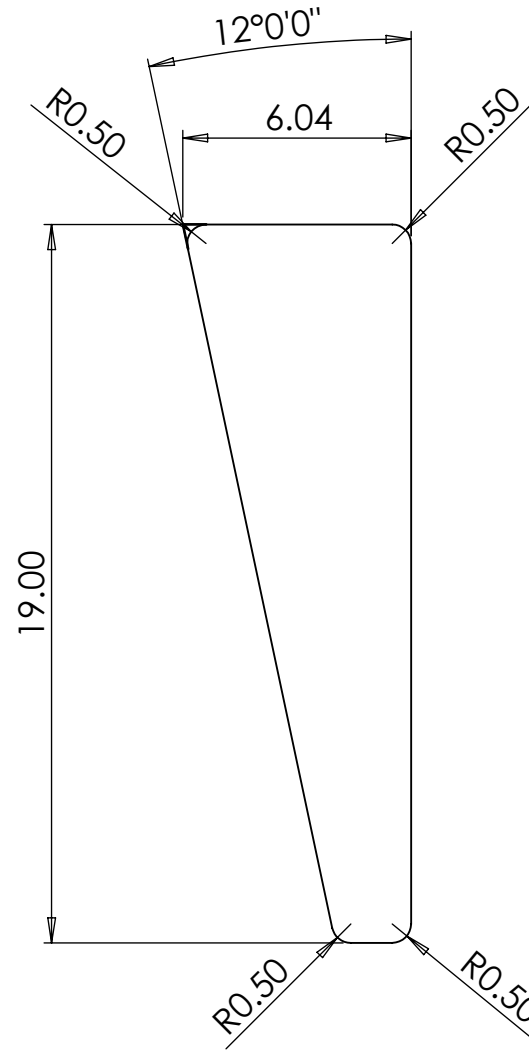
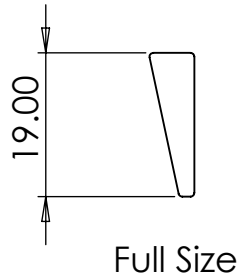
DO NOT SCALE DRAWING	REVISION
Purevista	
TITLE: One Side Fix Side Mount Drilling	
DWG NO.	19-04-2023
	A4
SCALE:1:50	SHEET 1 OF 1

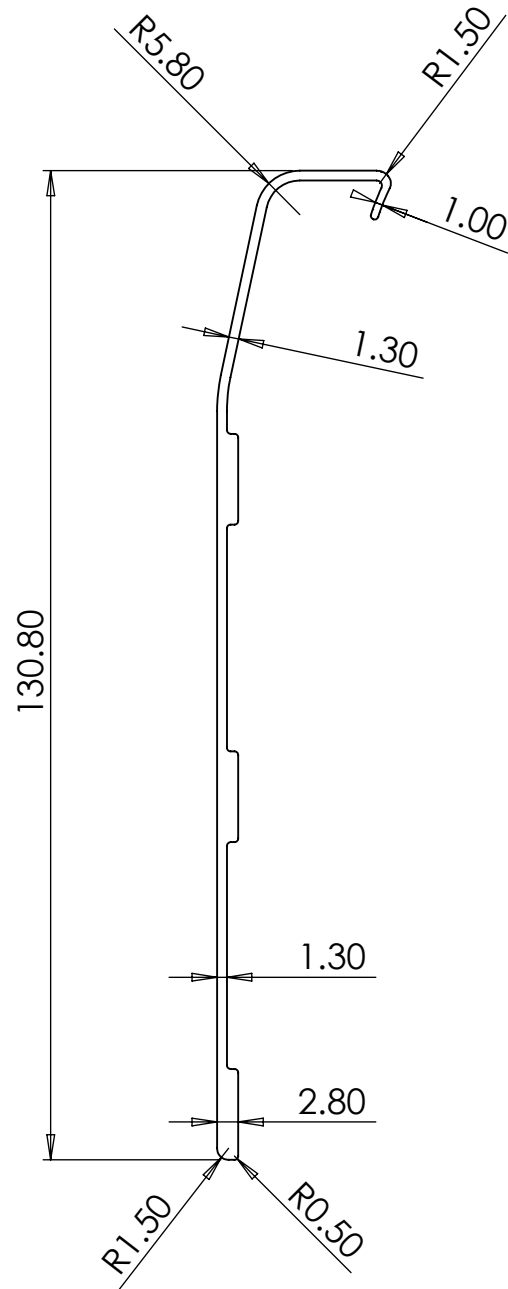


SECTION A-A
SCALE 1 : 2

DO NOT SCALE DRAWING		REVISION
Purevista		
TITLE: OSF Side Mount Wedge		
DWG NO.	08-05-23	A4
SCALE:1:1	SHEET 1 OF 1	

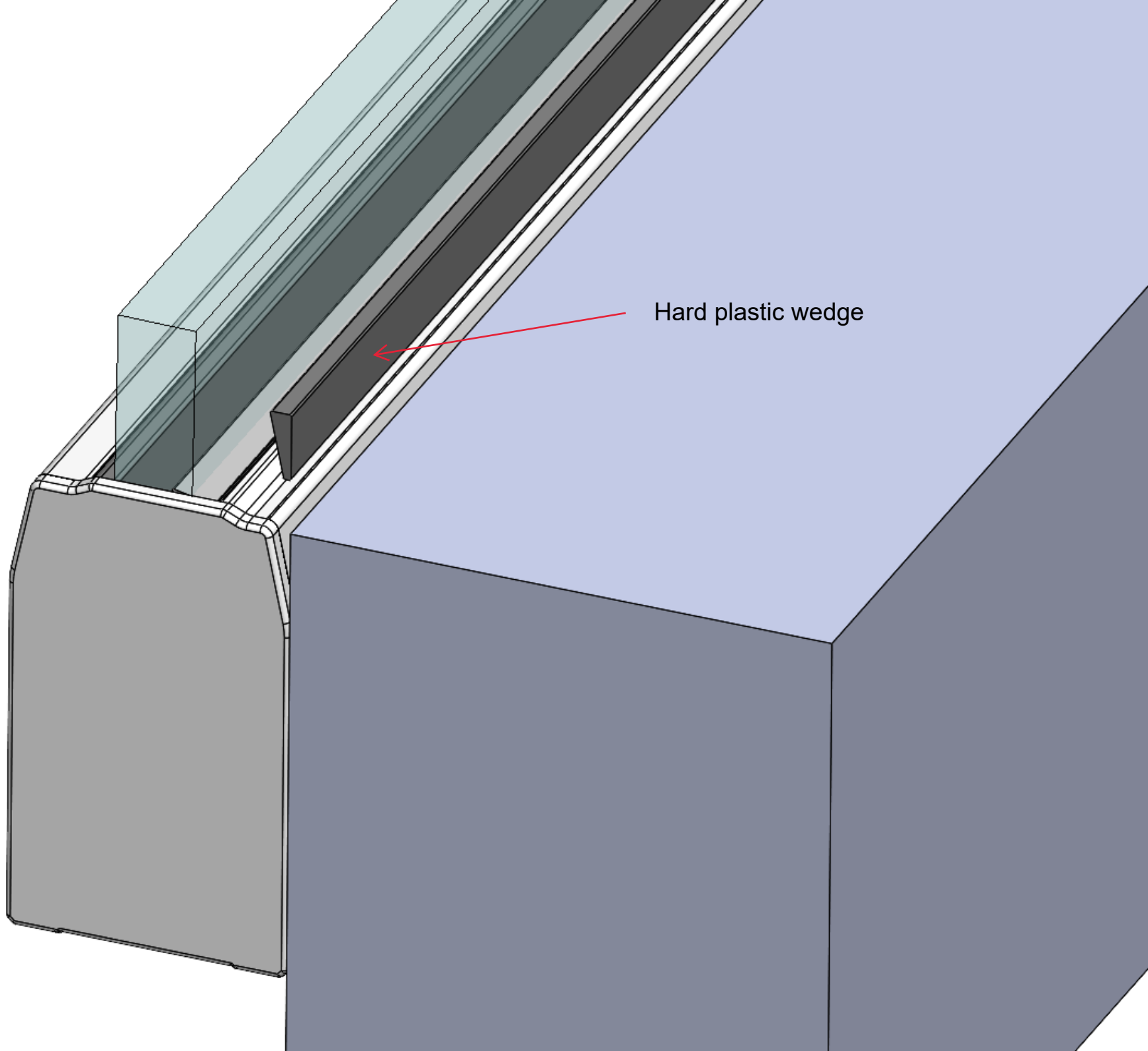
Rigid Plastic As Directed





DO NOT SCALE DRAWING	REVISION
Purevista	
TITLE: One Side Fix Side Cladding	
DWG NO.	16-05-2023
SCALE:1:1	SHEET 1 OF 1

6063-T6 Aluminium
Finish as directed



Hard plastic wedge

