

DO NOT SCALE DRAWING		REVISION
Purevista		
TITLE: Megagrip Side Mount Channel Square Base		
DWG NO.	27-02-20	A4
SCALE:1:1	SHEET 1 OF 2	

Aluminium 6063-T6
Finish as Directed

PurevistaTITLE:
Megagrip Side Mount Channel Square Base
Drilling

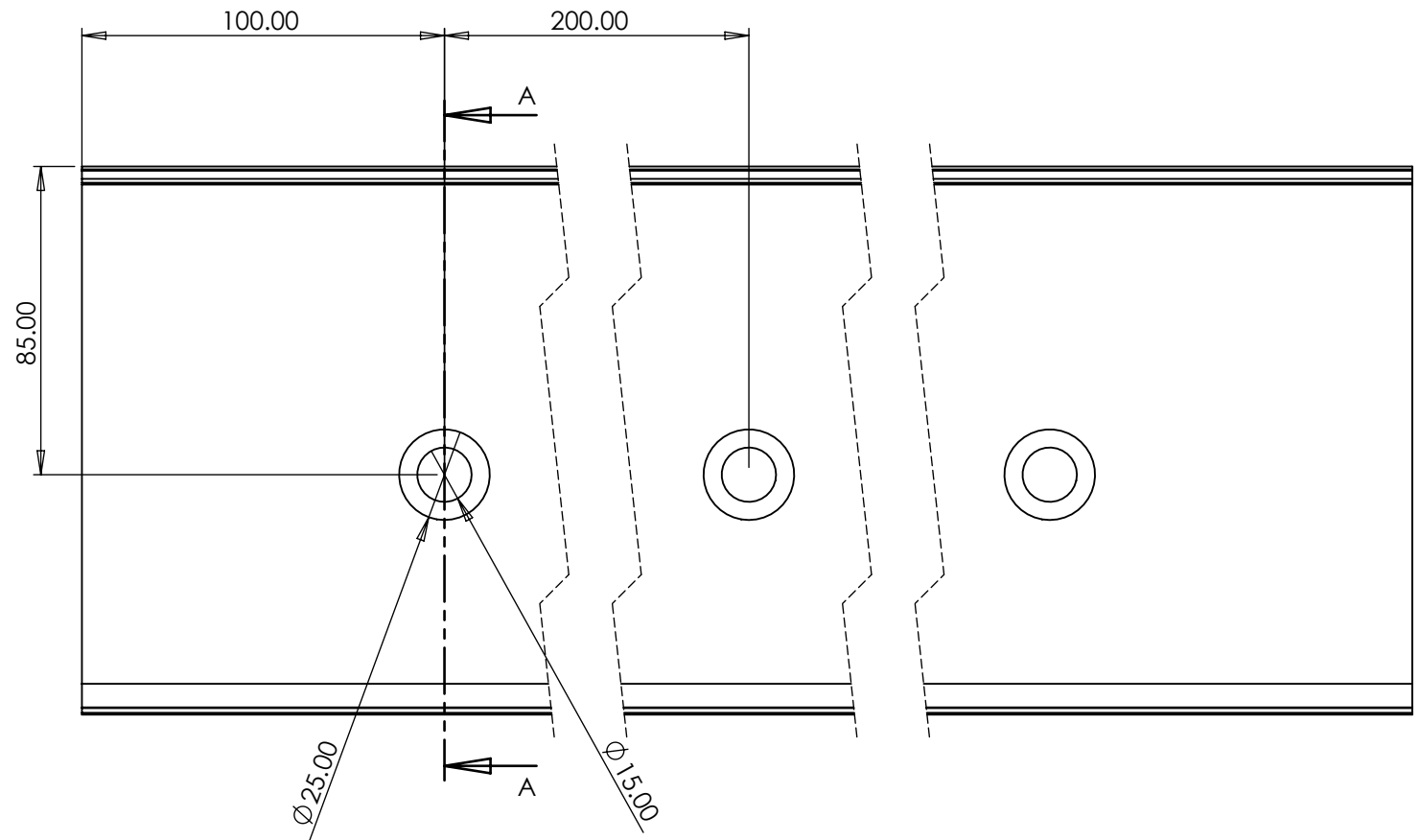
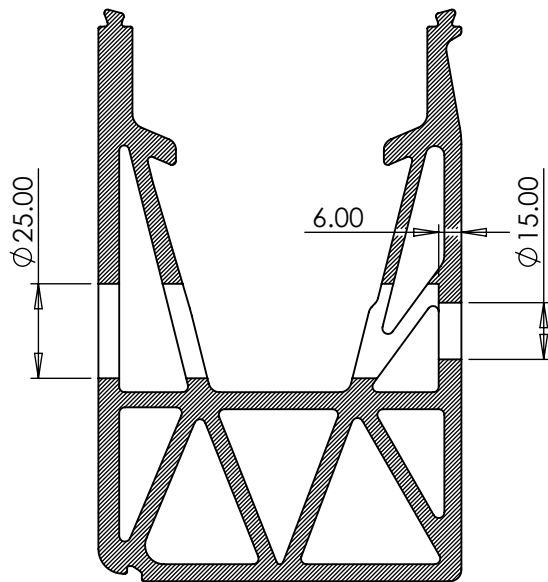
DWG NO.

27-02-20

A4

SCALE:1:10

SHEET 2 OF 2

SECTION A-A
SCALE 1 : 2