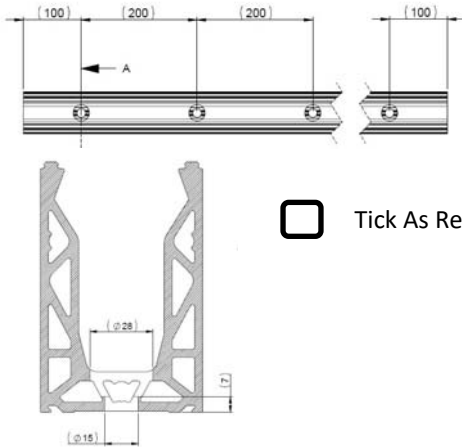


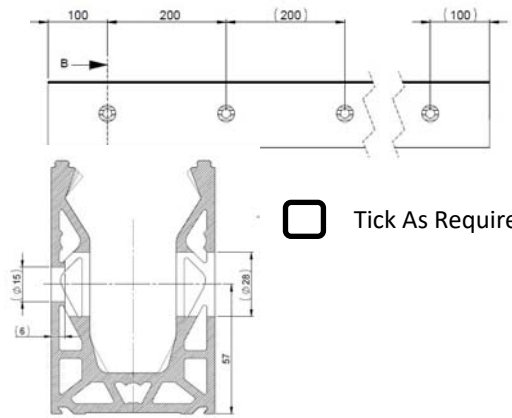
Cutting Enquiry Form

Base Drilled



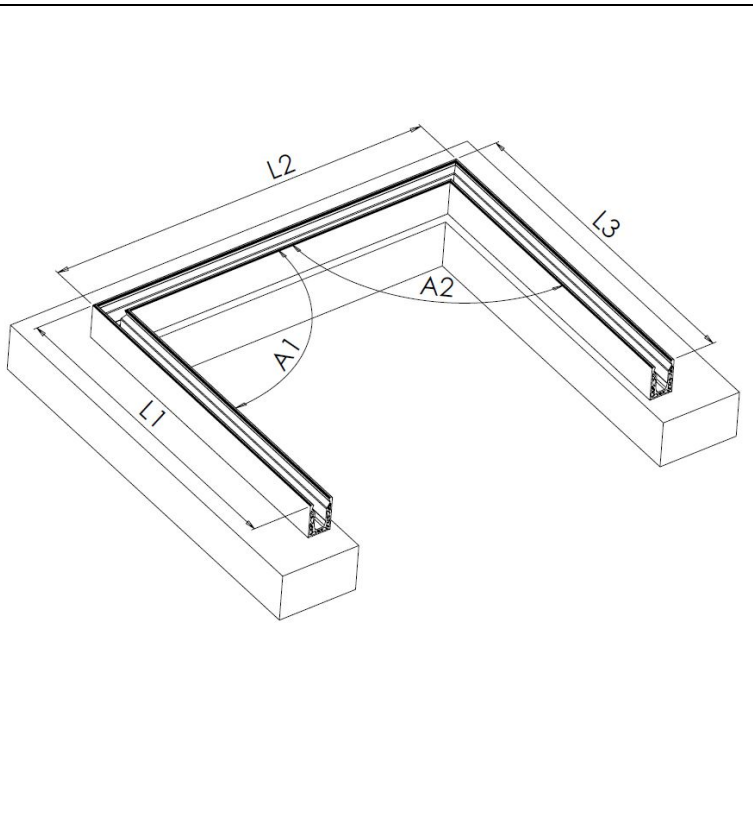
Tick As Required

Side Drilled



Tick As Required

<u>Length 1 (mm)</u>	<u>Quantity (Pcs)</u>
_____	_____
_____	_____
_____	_____
<u>Length 2 (mm)</u>	<u>Quantity (Pcs)</u>
_____	_____
_____	_____
_____	_____
<u>Length 3 (mm)</u>	<u>Quantity (Pcs)</u>
_____	_____
_____	_____
_____	_____
<u>Angle 1 (Degrees)</u>	<u>Quantity (Pcs)</u>
_____	_____
_____	_____
<u>Angle 2 (Degrees)</u>	<u>Quantity (Pcs)</u>
_____	_____
_____	_____



Customer Details

Name _____

Company _____

Address _____



Note:- There is a cutting tolerance +/- 5mm
Please see our terms and conditions as attached.