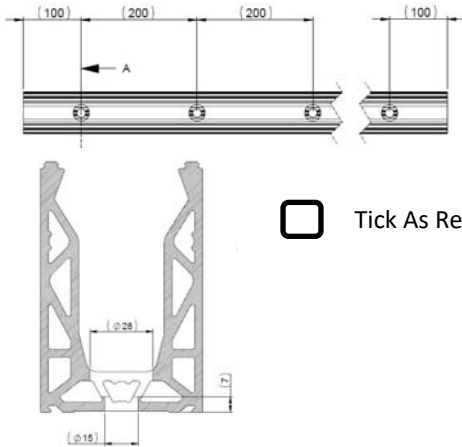


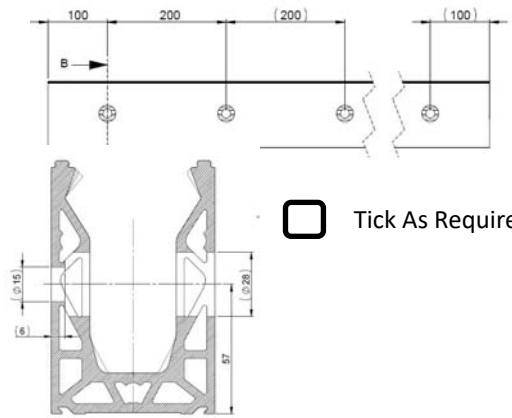
### Cutting Enquiry Form

#### Base Drilled

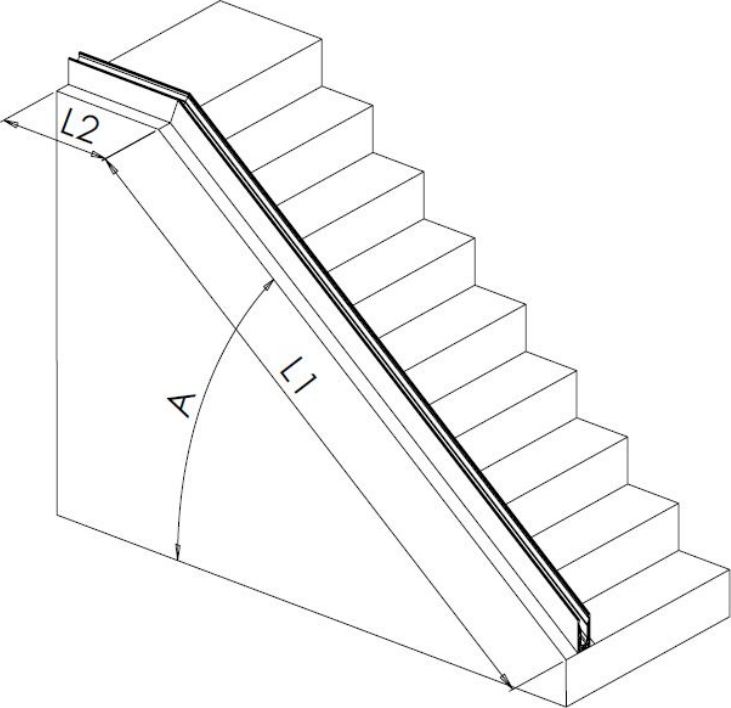


Tick As Required

#### Side Drilled



Tick As Required

Length 1 (mm)	Quantity (Pcs)	
_____	_____	
_____	_____	
_____	_____	
_____	_____	
_____	_____	
Length 2 (mm)	Quantity (Pcs)	
_____	_____	
_____	_____	
_____	_____	
_____	_____	
_____	_____	
Angle 1 (Degrees)	Quantity (Pcs)	
_____	_____	
_____	_____	

#### Customer Details

Name \_\_\_\_\_

Company \_\_\_\_\_

Address \_\_\_\_\_

\_\_\_\_\_

\_\_\_\_\_

\_\_\_\_\_



Note:- There is a cutting tolerance +/- 5mm  
Please see our terms and conditions as attached.