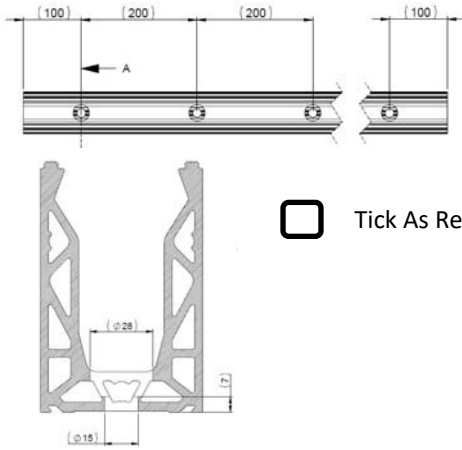


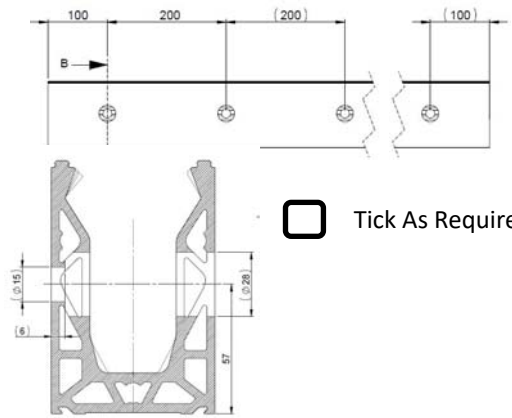
### Cutting Enquiry Form

#### Base Drilled

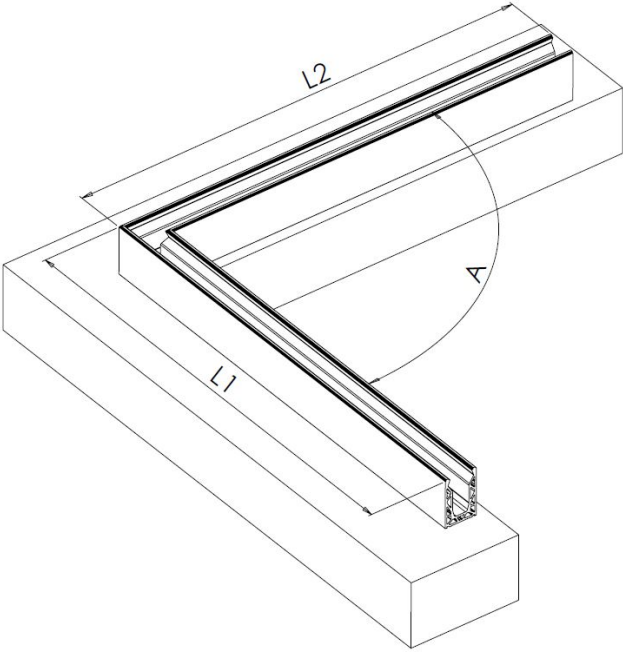


Tick As Required

#### Side Drilled



Tick As Required

<u>Length 1 (mm)</u>	<u>Quantity (Pcs)</u>	
_____	_____	
_____	_____	
<u>Length 2 (mm)</u>	_____	
_____	_____	
_____	_____	
<u>Angle (degrees)</u>	_____	
_____	_____	
_____	_____	

#### Customer Details

Name \_\_\_\_\_

Company \_\_\_\_\_

Address \_\_\_\_\_

\_\_\_\_\_

\_\_\_\_\_

\_\_\_\_\_



Note:- There is a cutting tolerance +/- 5mm  
Please see our terms and conditions as attached.