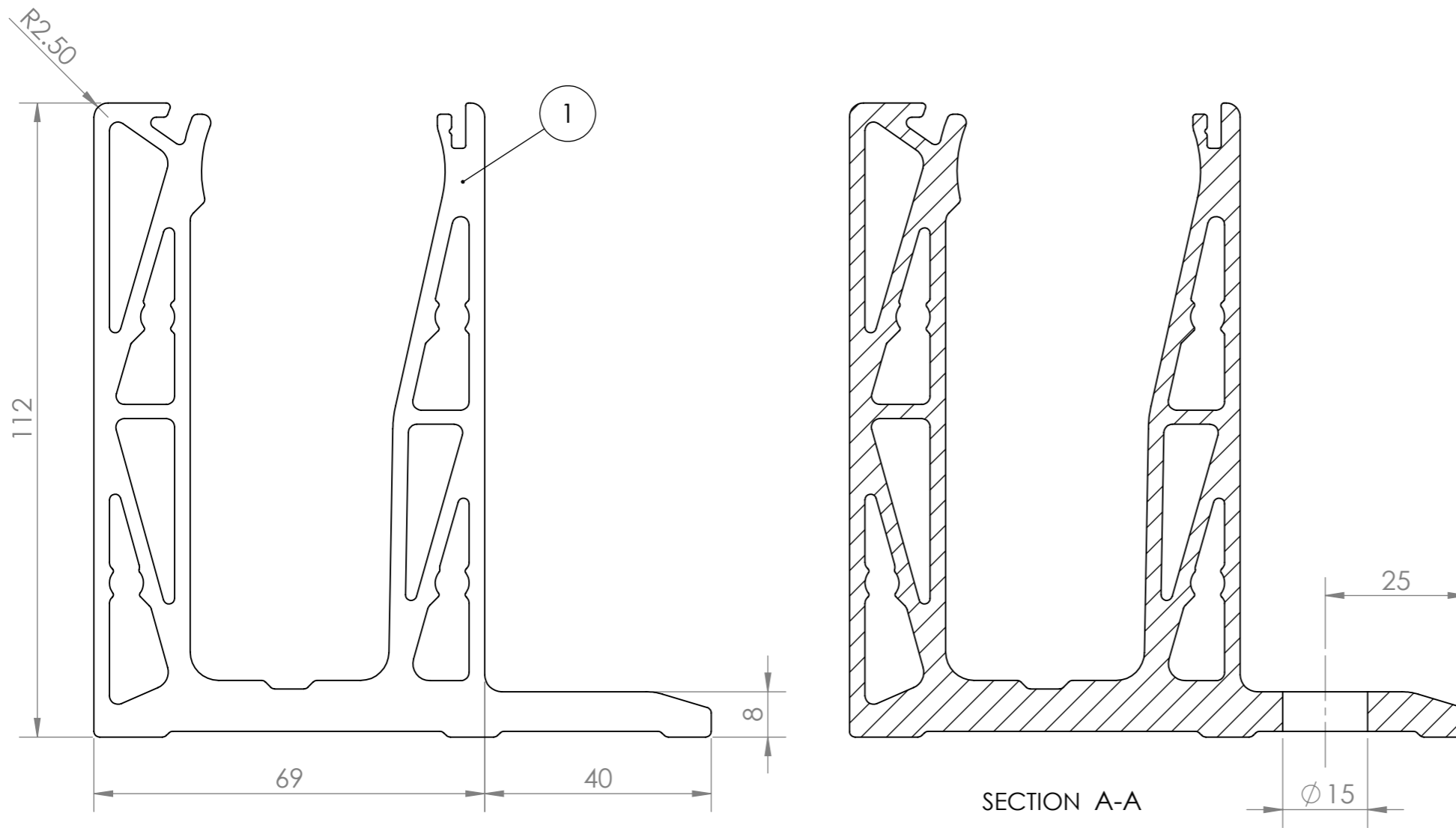


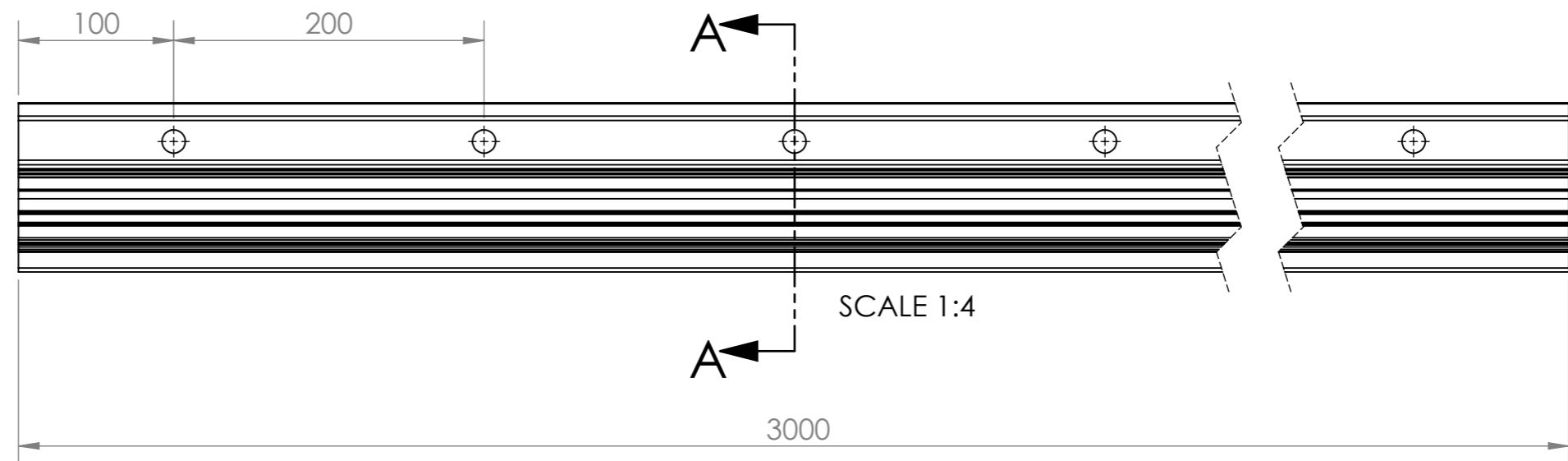
R-Lock L Mount Channel
Version 1



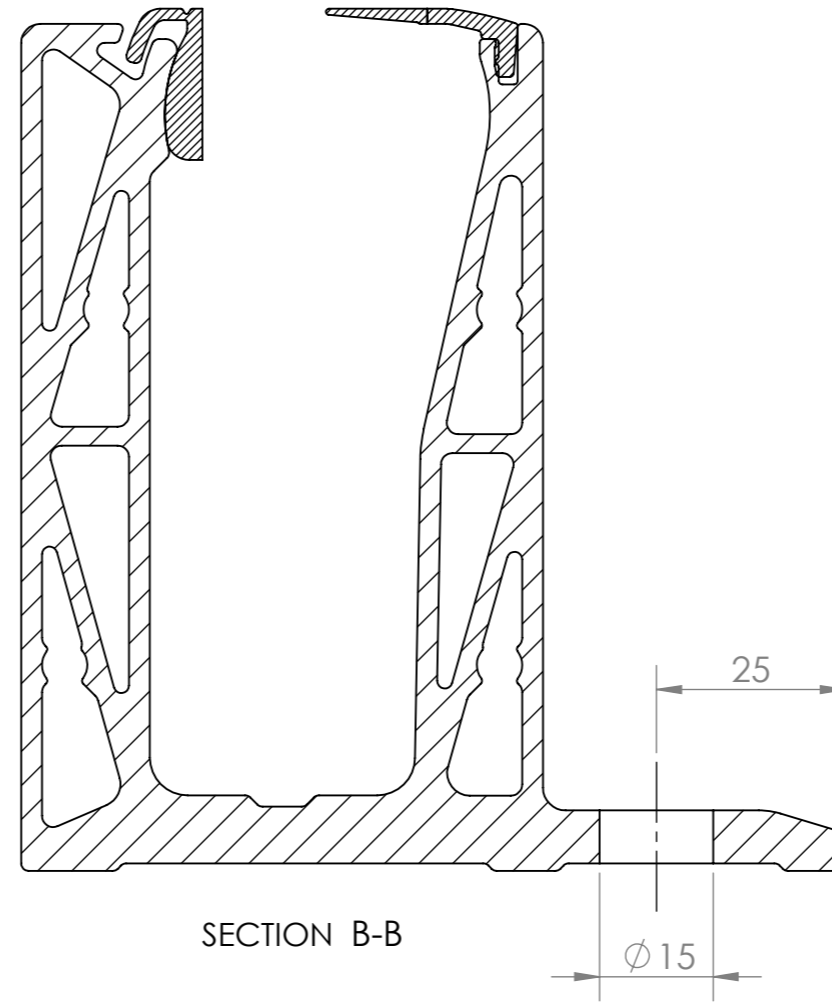
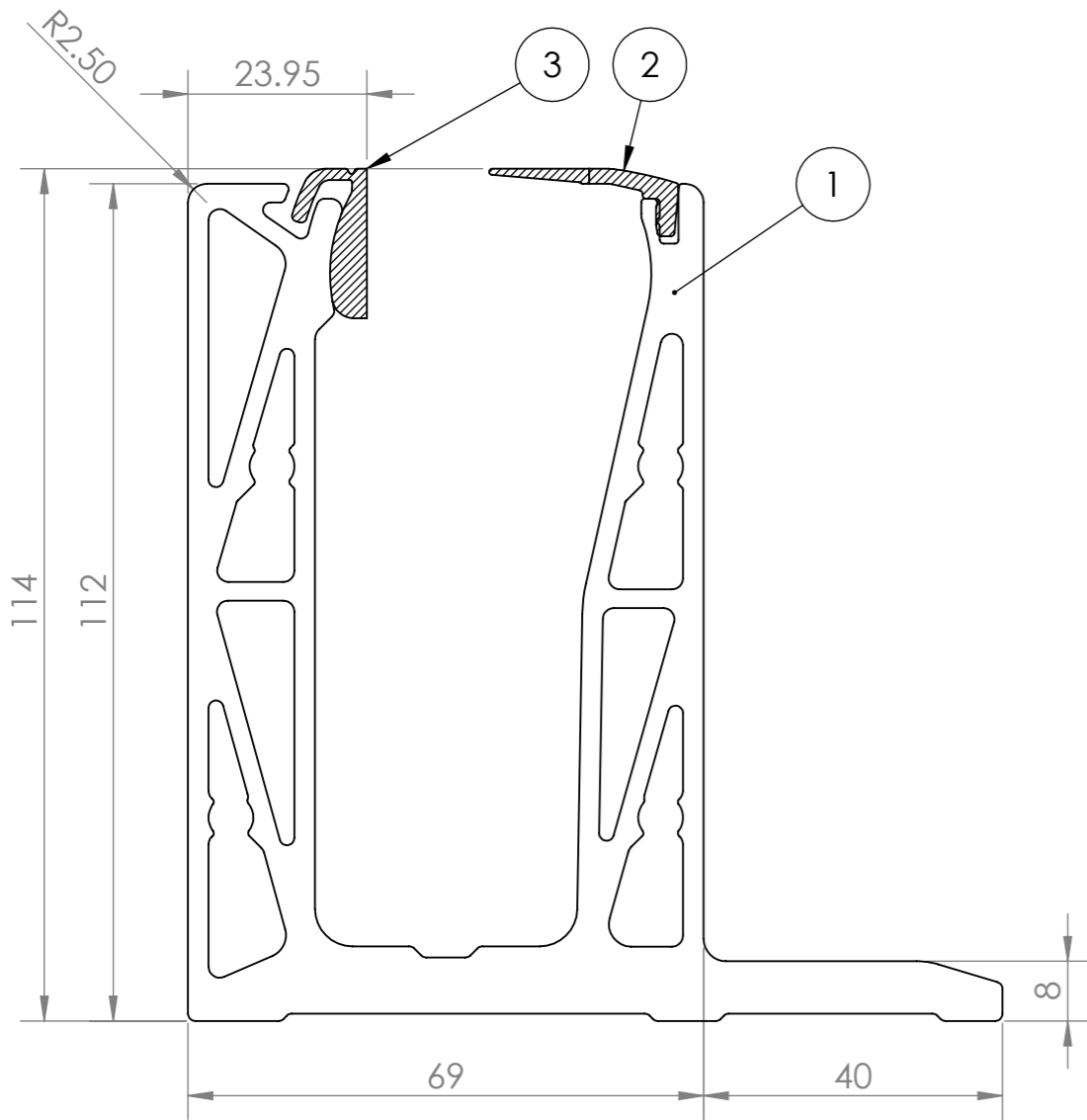
PureVista Data Sheet		
	Product Code	Description
1	RLE74-010	R-Lock Edge 74 Channel 3000mm
2		
3		
4		

DO NOT SCALE
Units - Millimetres

Bolt Hole Positioning



R-Lock L Mount Channel with Seal
Version 1



PureVista Data Sheet		
	Product Code	Description
1	RLE74-010	R-Lock Edge 74 Channel 3000mm
2	RLA-020	R-Lock adjustment outer Bead
3	RLA74-030	R-Lock Edge 74 Internal Co-Ex Bead/Gasket
4		

DO NOT SCALE
Units - Millimetres

Bolt Hole Positioning

