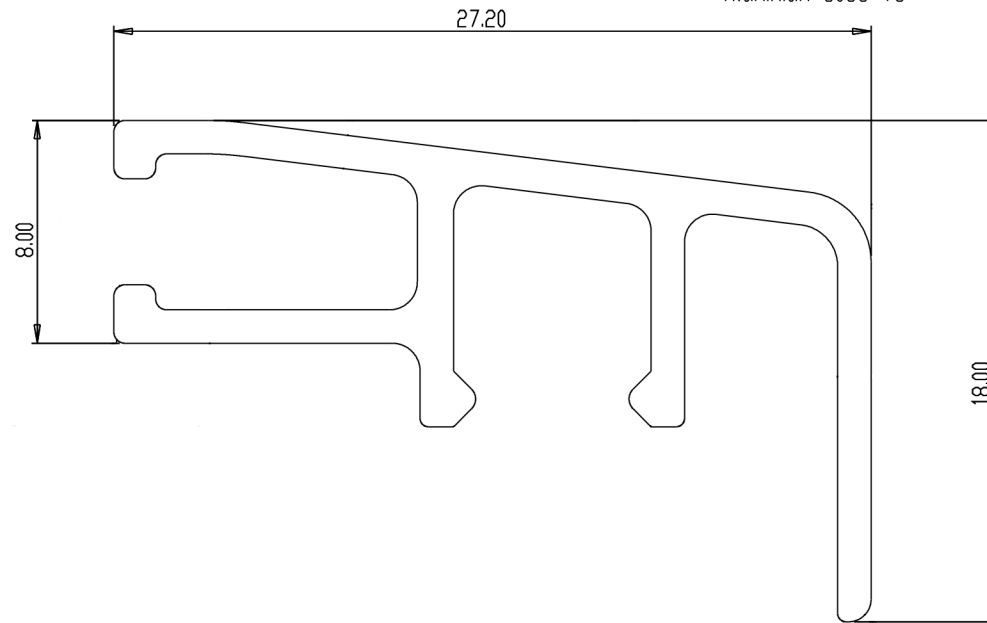


DO NOT SCALE DRAWING	REVISION
Purevista	
TITLE: Posiglaze Seal for 5mm Side Panel	
DWG NO.	A4
SCALE:1:1	SHEET 1 OF 1

Aluminium 6063-T6



DETAIL A
SCALE 5 : 1