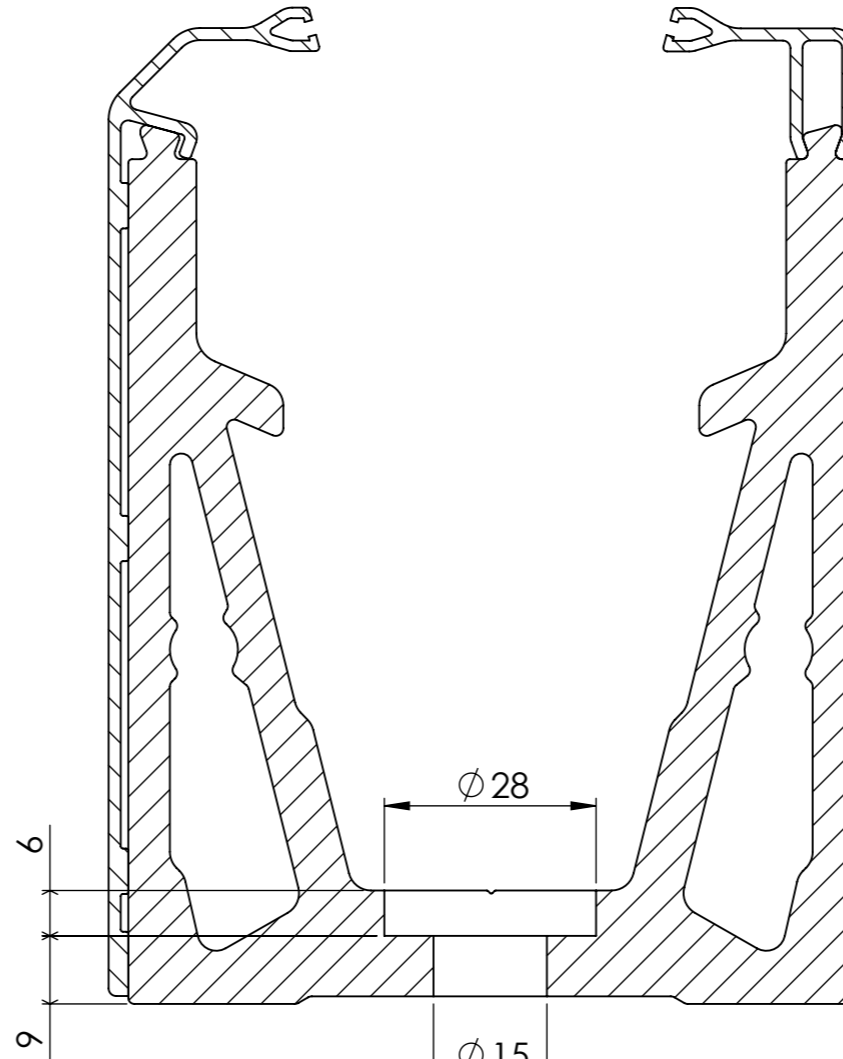
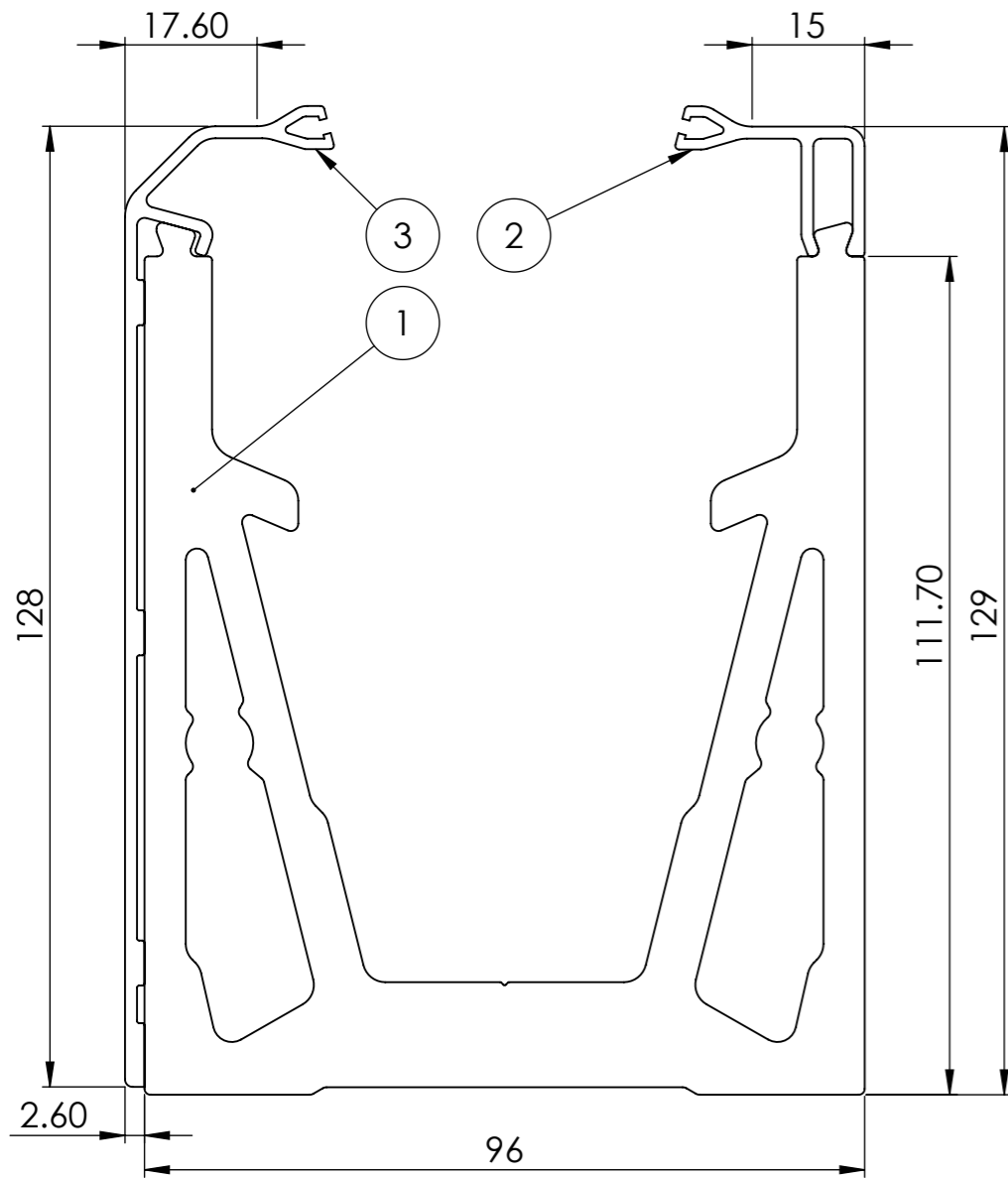


MegaGrip Channel
Top Bead + Side Cladding

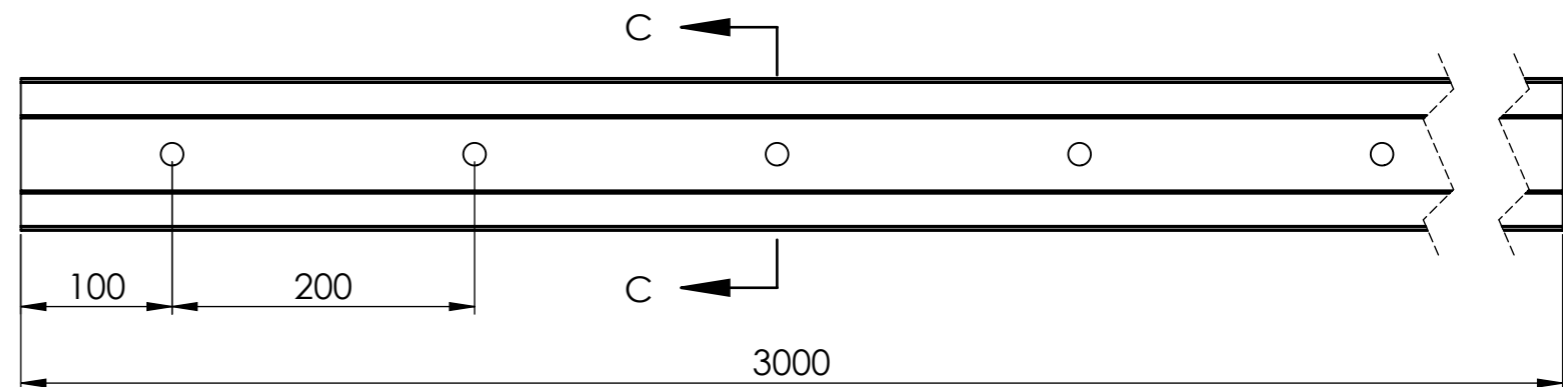


SECTION C-C

PureVista Data Sheet		
	Product Code	Description
1	MGC-010 MGC-010C	MegaGrip Channel
2	MGC-020	Top Bead Aluminium
3	MGA-010	Side Cladding Aluminium
4		

DO NOT SCALE
Units - Millimetres

Bolt Hole Positioning



SCALE 1:5