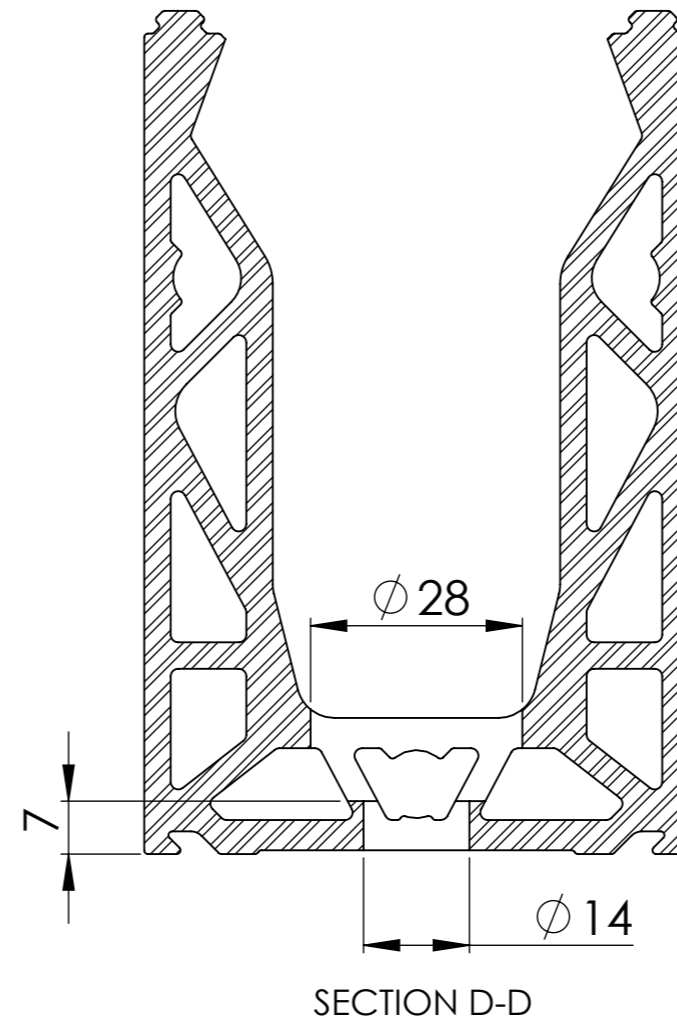
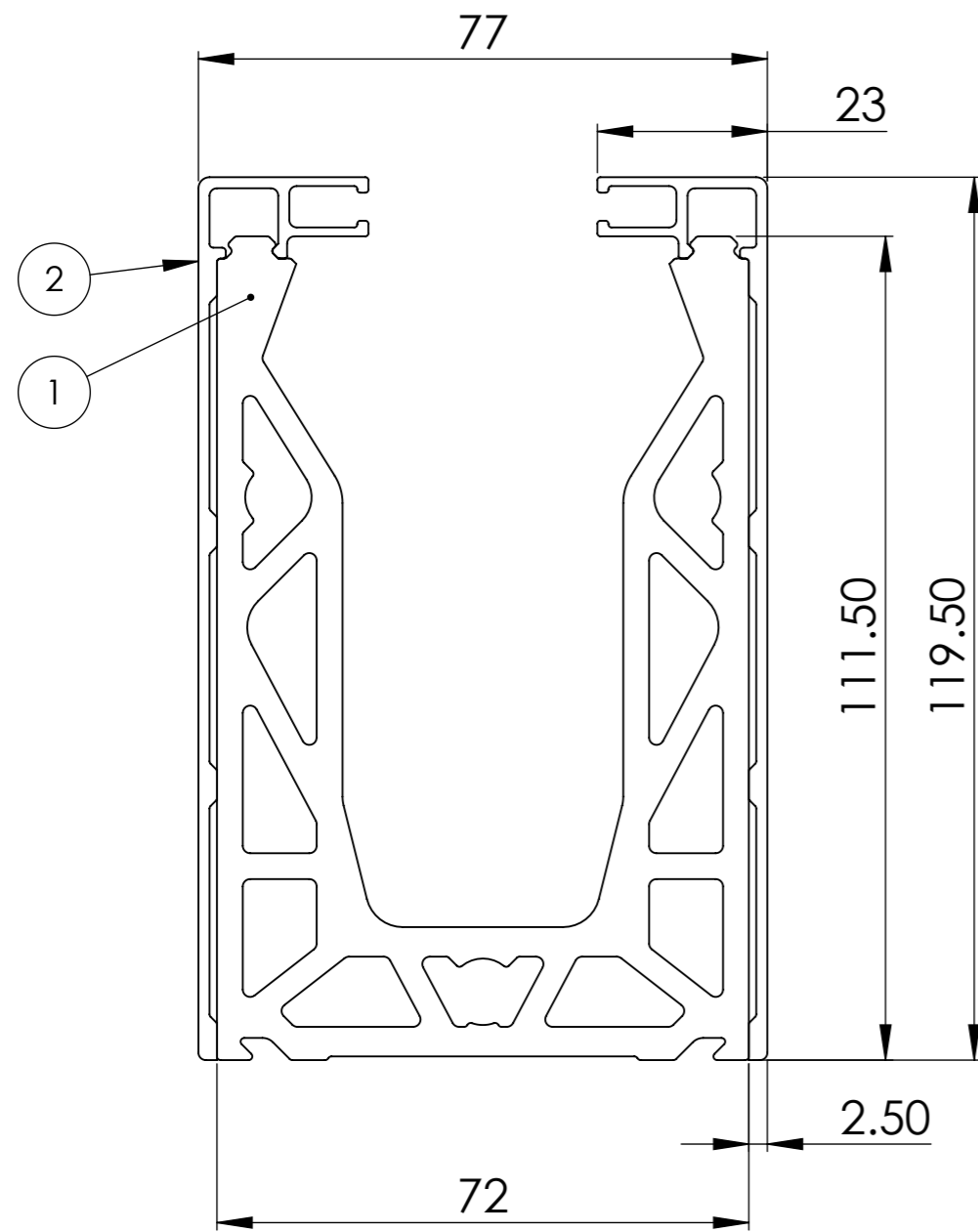


**Posi-Glaze Base Drilled Channel
Side Cladding (2)**

PureVista Data Sheet		
	Product Code	Description
1	PGC-010	Posi-Glaze Base Drilled Channel
2	PGA-010	Side Cladding Aluminium
3		
4		

DO NOT SCALE
Units - Millimetres



Bolt Hole
Positioning

