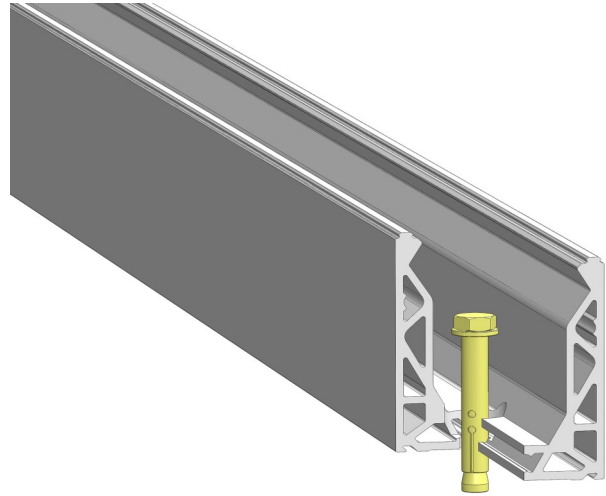


Fitting Instructions

1. Base Rail

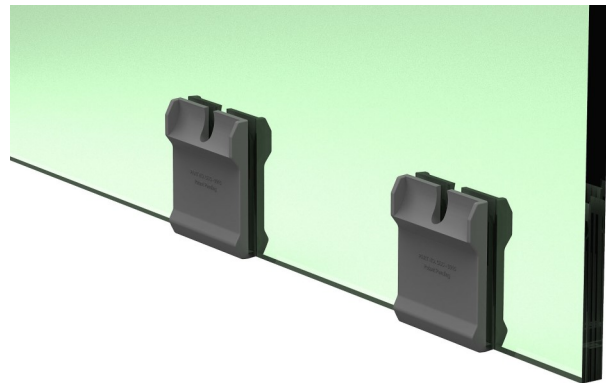
The Posi-Glaze base channel should be placed onto its designated position and the holes marked onto the substrate for drilling. Once the shoe is lined up with the holes and is level, the fixings should be tightened up to make the channel rigid. The fixings must be tightened in accordance with the manufacturer's instructions. M12 bolts must be used.



2. Glass Slip Clamp Fitting

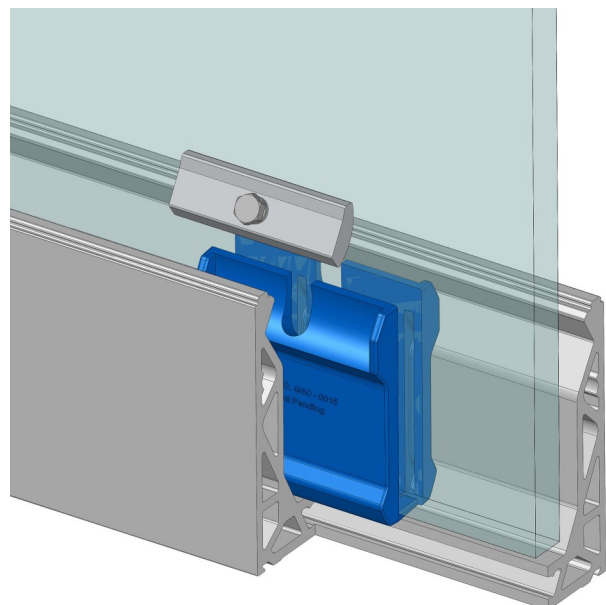
The glass slip clamps need to be placed onto the bottom of the glass. This requires lifting the glass off the floor sufficiently and pushing into place or applying the clamps to the bottom of the glass. The slip clamps require even spacing. When 4 clamps are used on a metre wide panel the clamps need to be positioned 125mm in from the edge of the glass and then at 250mm centres. When using 3 clamps per metre the spacing needs to be 200mm from the end and then 300mm centres. The glass can now be lowered into the channel.

You must check to ensure 3 or 4 clamps can be used.



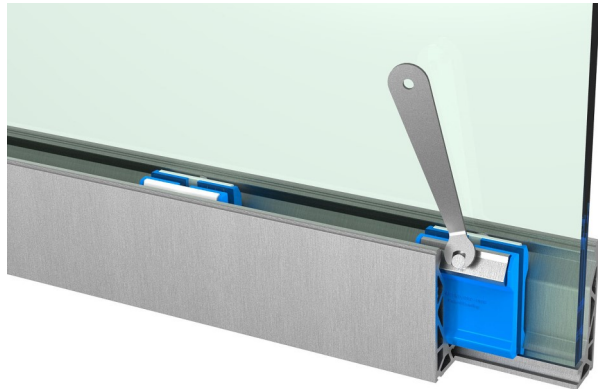
3. Glass Clamp Bar Fitting

Once the glass is in the channel the clamp bars must be positioned into the top of each glass slip clamp. Firstly screw the bolt into the clamp bar until the head of the bolt just reaches the bar. Screw the bolt into the flat side as the shaped side of the bar will sit nearest to the glass. Each clamp bar can now be inserted into the glass slip clamps. As shown in the image to the right.



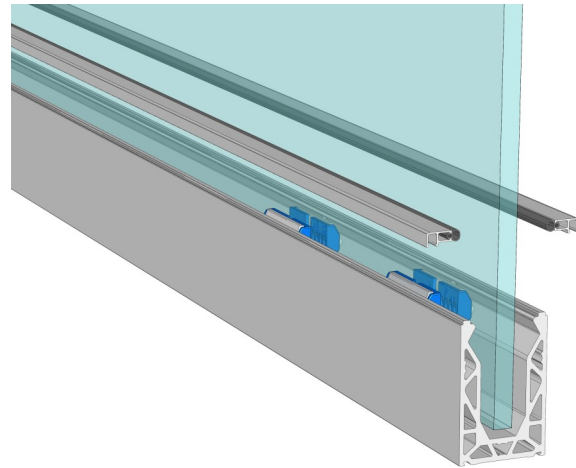
4. Getting Glass Level and Tightening Bolts

The bolts now need tightening equally to keep the same pressures on the glass. Place a spirit level on the glass to get it in the correct position. To adjust the glass into position the bolts can be unscrewed back towards the wall of the channel. Start by getting the outer clamps tightened before tightening the bolts on the middle clamps. Give the bolts an additional half turn to ensure that the glass is securely held in place. An adhesive, such as Loctite, should be used on the threads to stop vibration.



5. Top Seal Strip

The gasket requires feeding into rebates on the smaller profiles, do not stretch the gasket. Once the gasket is flush with each end of the strip it can now be cut and clipped onto the top of the channel. This can be done by pressing firmly down on the profile working from one end to the other. A soft mallet may be required, knocking the right angled corner.



6. Cleaning

Once everything is correctly in place and the job is complete, the glass and channel need to be cleaned. Use a non-abrasive glass cleaner on the glass and warm soapy water on the Posi-Glaze channel. We also recommend a soft sponge or cloth, again to avoid any risk of scratching.

We have tried to make the system as simple and easy to install as possible, however should you not feel confident enough to fit this please contact a reputable glazier or builder.

Should any problems arise please don't hesitate to contact us:

T: +44 (0)1208 261 040
F: +44 (0)1208 261 041
E:- sales@pure-vista.com

www.pure-vista.com