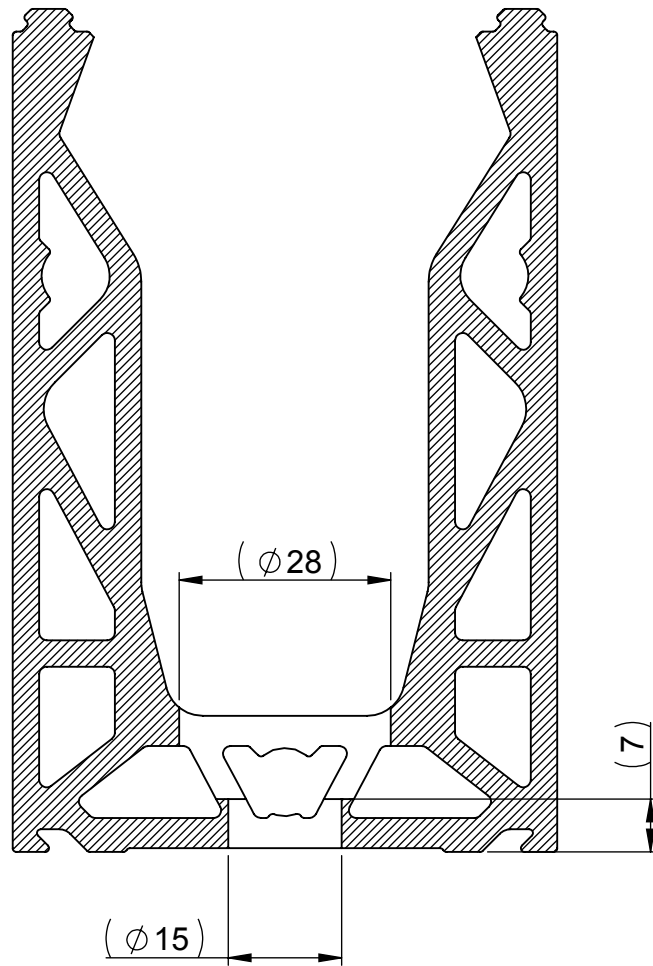
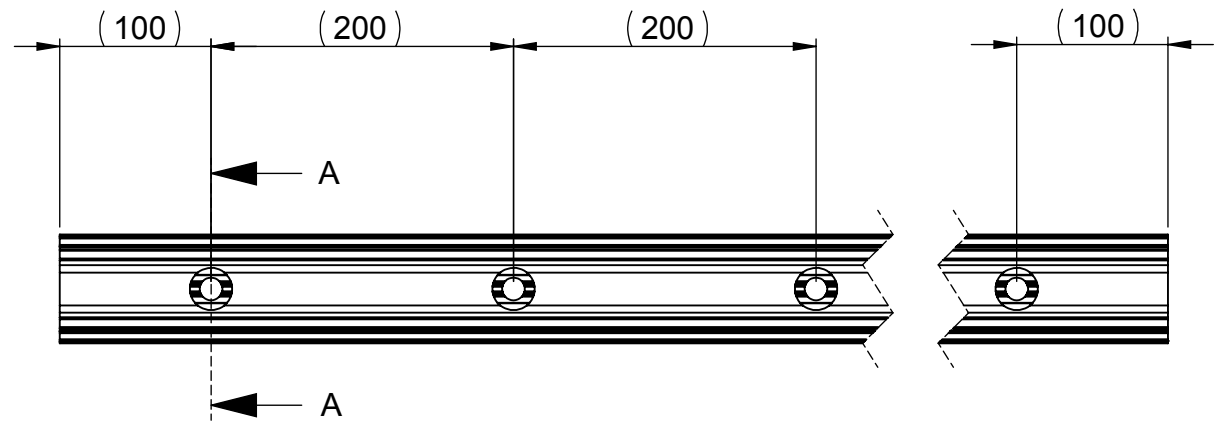


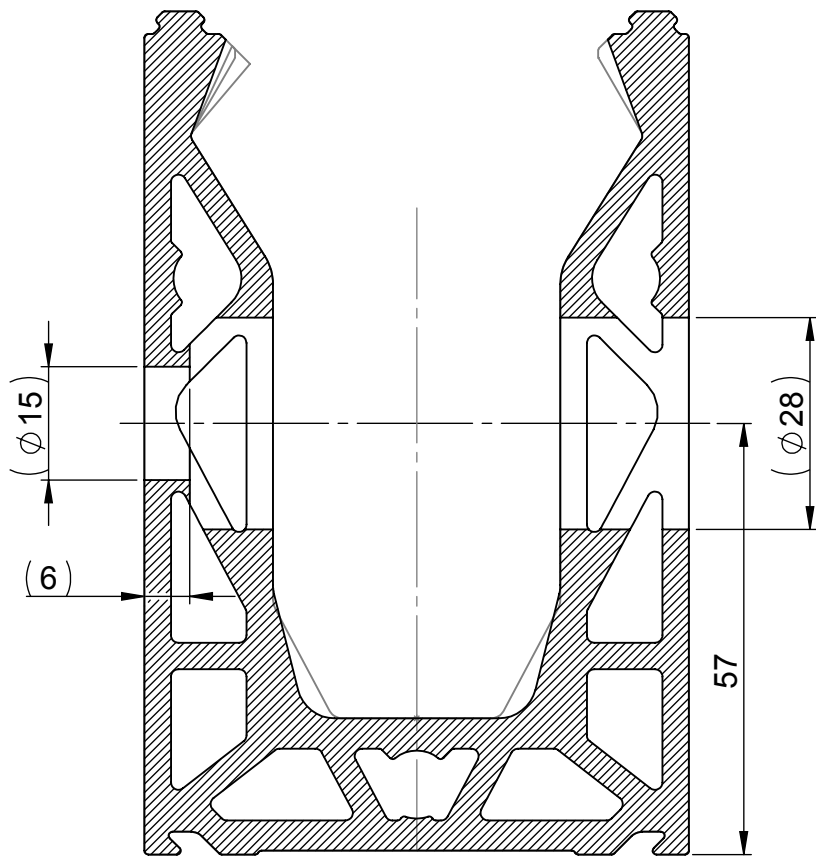
| | |
|---------------------------------------|--------------|
| DO NOT SCALE DRAWING | REVISION |
| Purevista | |
| TITLE: G2623 Channel Base Drilling | |
| DWG NO. | A4 |
| SCALE:1:10 | SHEET 1 OF 2 |



SECTION A-A
SCALE 1 : 1



| | |
|---------------------------------------|--------------|
| DO NOT SCALE DRAWING | REVISION |
| Purevista | |
| TITLE: G2623 Channel Side Drilling | |
| DWG. NO. | A4 |
| SCALE:1:10 | SHEET 2 OF 2 |



SECTION B-B
SCALE 1 : 1

