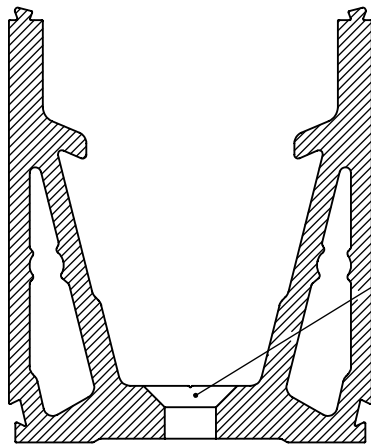
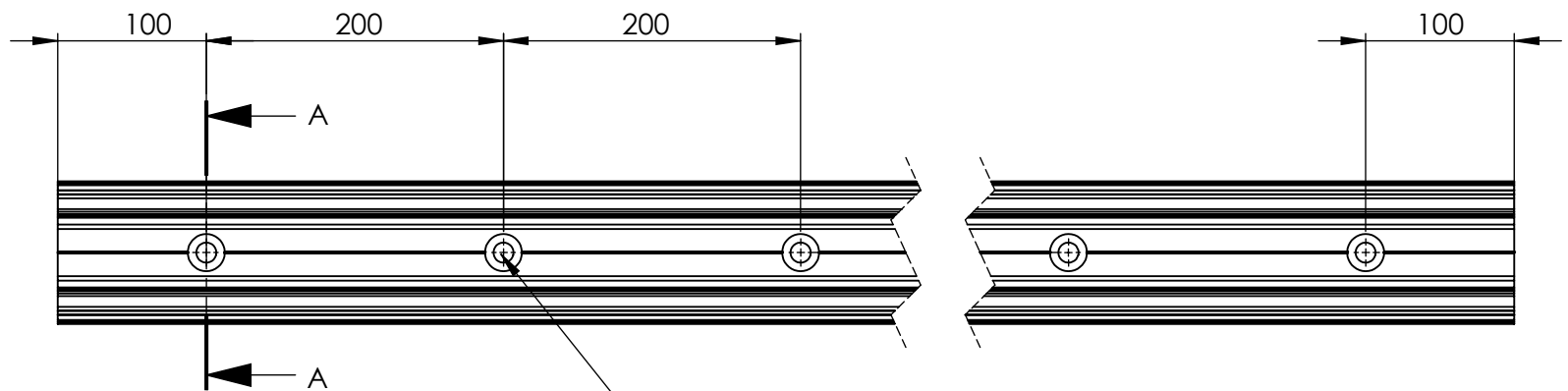


|   |              |          |
|---|--------------|----------|
| DO NOT SCALE DRAWING                            |              | REVISION |
| <b>Purevista</b>                                |              |          |
| TITLE:<br><b>Megagrip Channel Base Drilling</b> |              |          |
| DWG NO.   | 15-06-15     | A4       |
| SCALE:1:10                                      | SHEET 1 OF 1 |          |



Counter Sink for M12 Bolts

SECTION A-A  
SCALE 1 : 2



Counter Sink for M12 Bolts