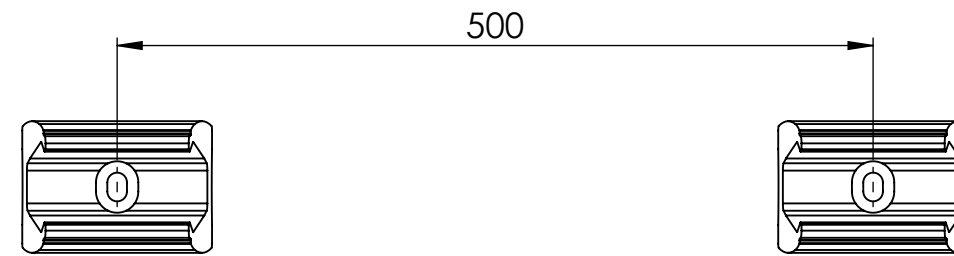
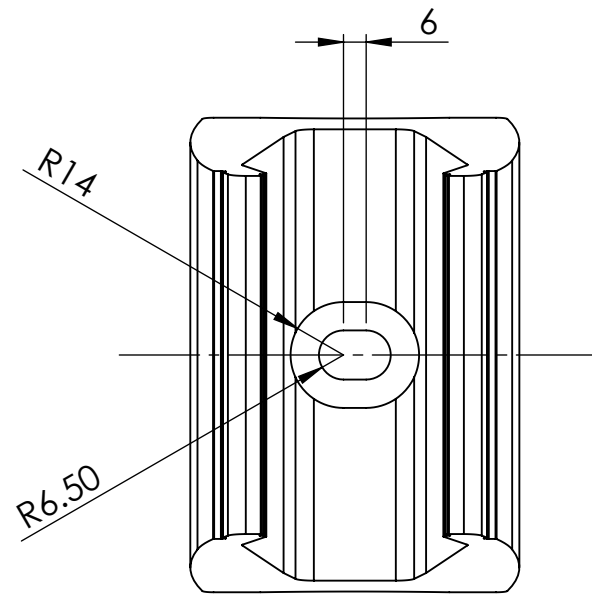


Spig-Lite Pro

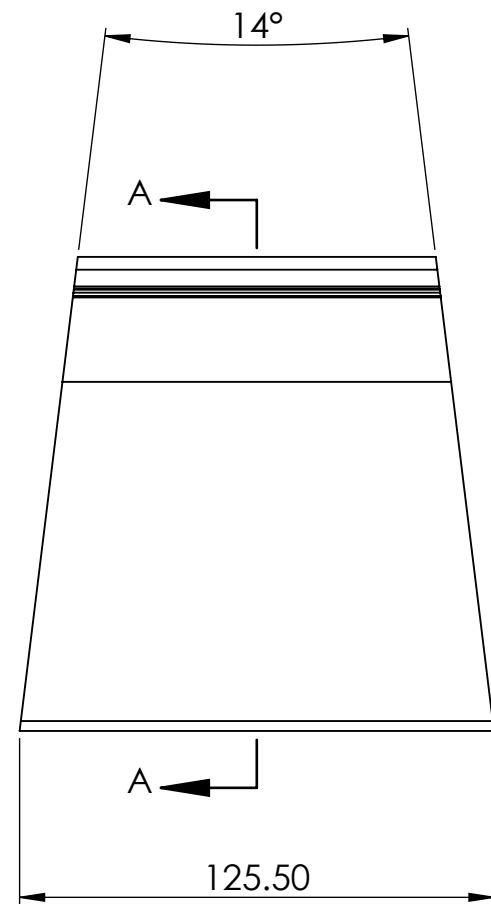
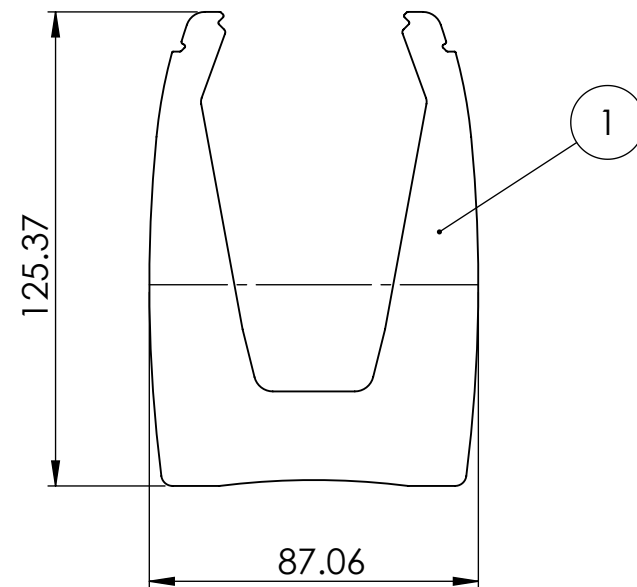


Spig-Lite Pro Mounting Position
Based on 1000mm Wide Glass

SCALE 1:5

PureVista Data Sheet		
	Product Code	Description
1	SPLT-001	Spigot
2		
3		
4		

DO NOT SCALE
Units - Millimetres



SCALE 1:2

