



# SPIG-LITE Pro

Domestic Glass Railings

# Fitting Instructions

## 1. Spig-Lite Pro

The spigots need to be placed onto their designated position, at 500mm centres or 250mm from the edge of the glass. If the glass is narrow they should be evenly spaced. The holes then need to be marked onto the substrate for drilling, the Spigots have an elongated hole to help lining up the system. Once in place the fixings (M12 Anchors) should be tightened up to make the system rigid. The fixings must be tightened to the correct torque in accordance with the manufacturer's instructions.

## 2. Glass Slip Clamp Fitting

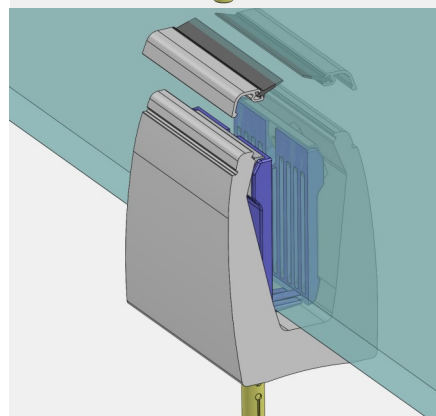
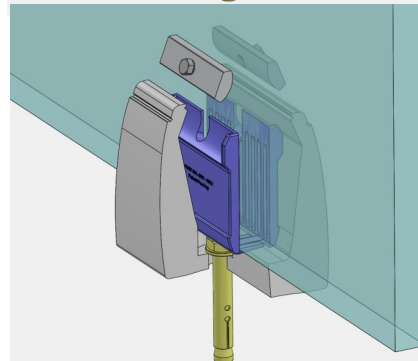
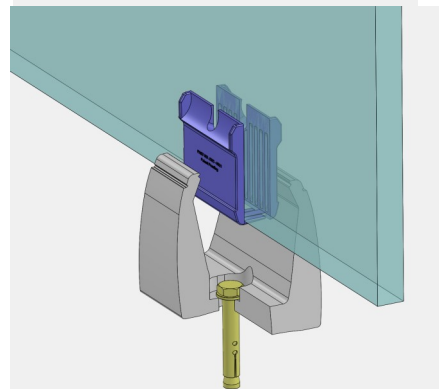
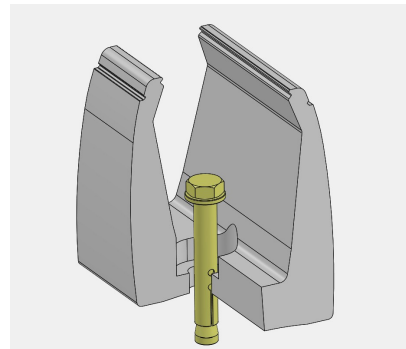
The glass slip clamps need to be placed onto the bottom of the glass. This requires lifting the glass off the floor sufficiently onto some plinths. Loosely attached the clamp halves to each other, they are designed so the fingers slide into each other. Slide these onto the bottom of the glass so they will sit centrally in the Spigots. Now lift and lower the glass into the Spig-Lite Pro system.

## 3. Glass Clamp Bar Fitting/ Getting The Glass Level

Once the glass is fitted into place, put a clamp bar into the top glass slip clamp. The curved side of the bar will sit nearest to the glass. Screw the bolt into the clamp bar until the head of the bolt just reaches the bar. Place a spirit level on the glass to get the glass in the correct position. To adjust the glass into position bolts can be unscrewed back towards the spigot. When the glass is aligned correctly each bolt must be securely tightened. An adhesive on the thread of the bolts should be used to ensure they cannot move.

## 5. Top Clip

The gasket requires feeding into the top clip. Once the gasket is flush with each end of the strip it now needs to be slid onto the top of the spigot. Align the end of the top strip with the top of the spigot and slide in from the ends. Adhesive must be used on the top clip and spigots.



Should you require any further assistance please don't hesitate to contact us :

T: +44 (0)1208 261 040  
F: +44 (0)1208 261 041  
E:- sales@pure-vista.com

[www.pure-vista.com](http://www.pure-vista.com)