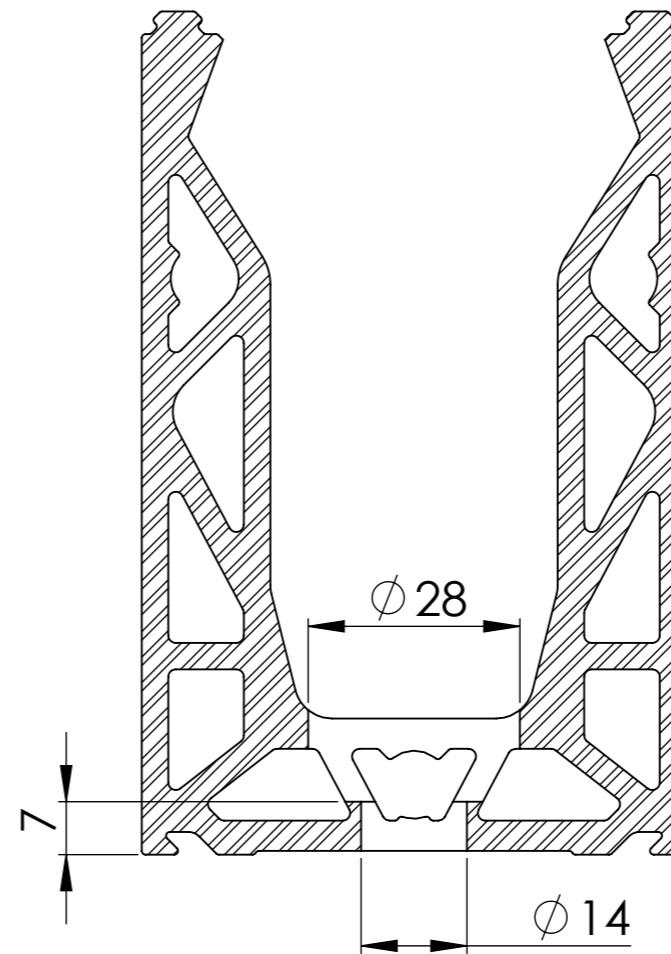
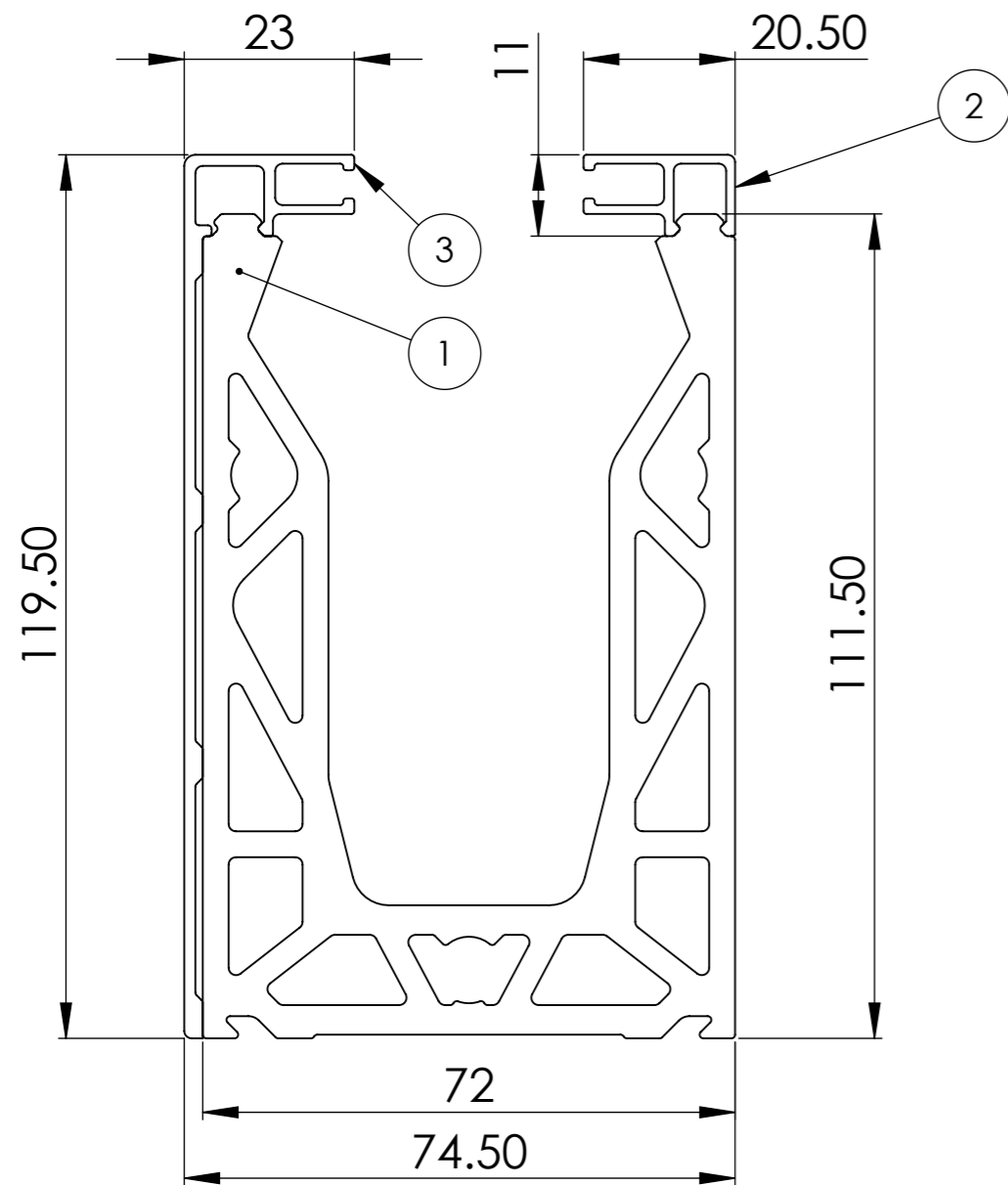


**Posi-Glaze Base Drilled Channel
Top Bead + Side Cladding**

PureVista Data Sheet		
	Product Code	Description
1	PGC-010	Posi-Glaze Base Drilled Channel
2	PGA-030	Top Bead Aluminium
3	PGA-010	Side Cladding Aluminium
4		

DO NOT SCALE
Units - Millimetres



SECTION D-D

Bolt Hole
Positioning

