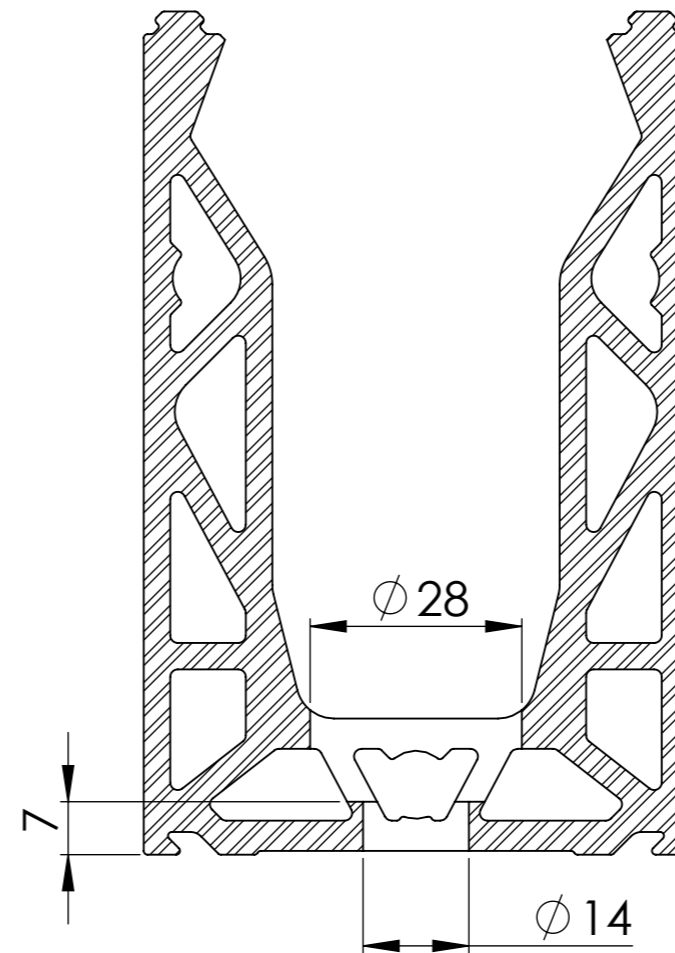
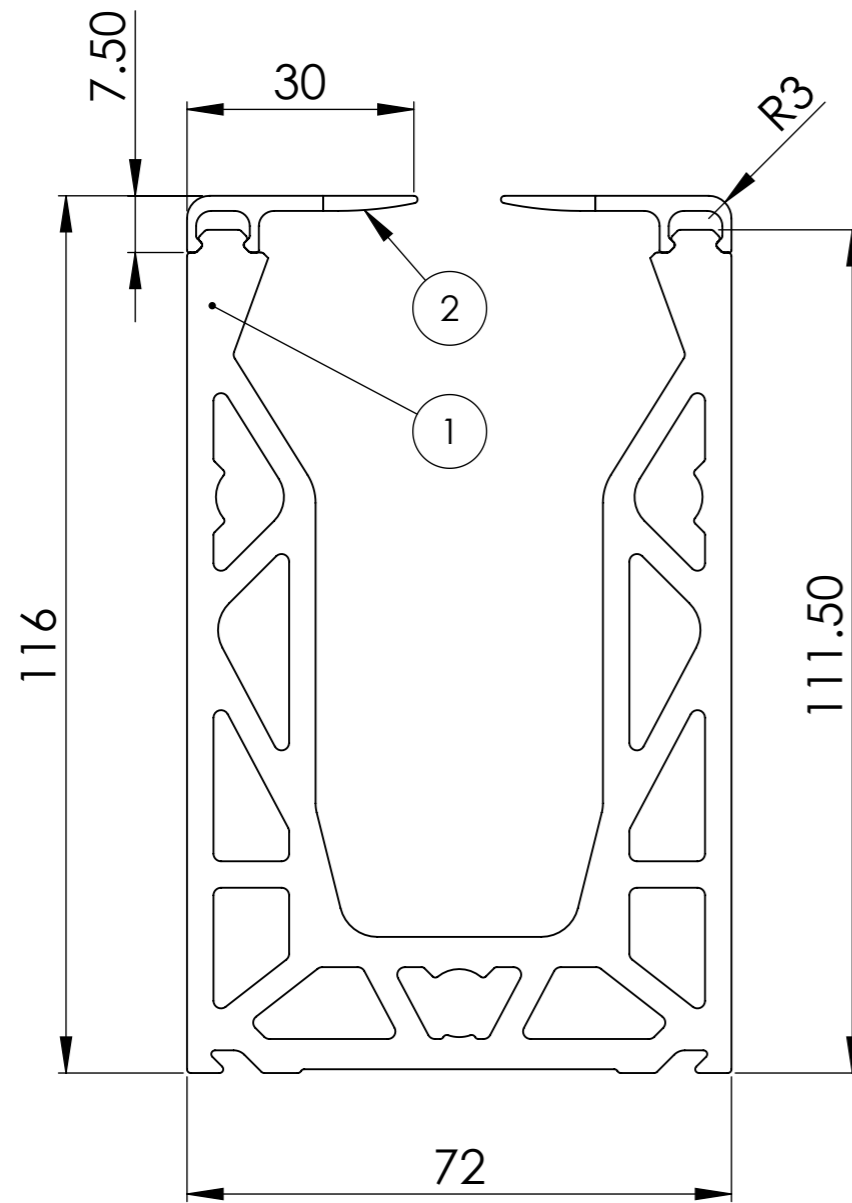


**Posi-Glaze Base Drilled Channel
Plastic Top Bead (2)**

PureVista Data Sheet		
	Product Code	Description
1	PGC-010	Posi-Glaze Base Drilled Channel
2	PGA-030P	Top Bead Plastic
3		
4		

DO NOT SCALE
Units - Millimetres



SECTION D-D

Bolt Hole
Positioning

