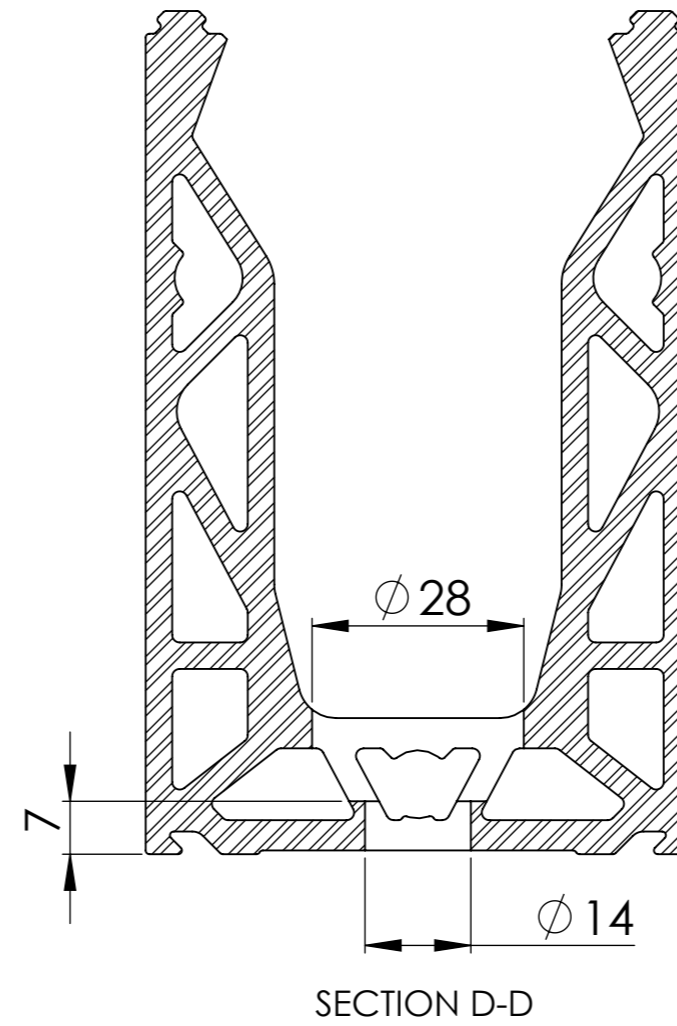
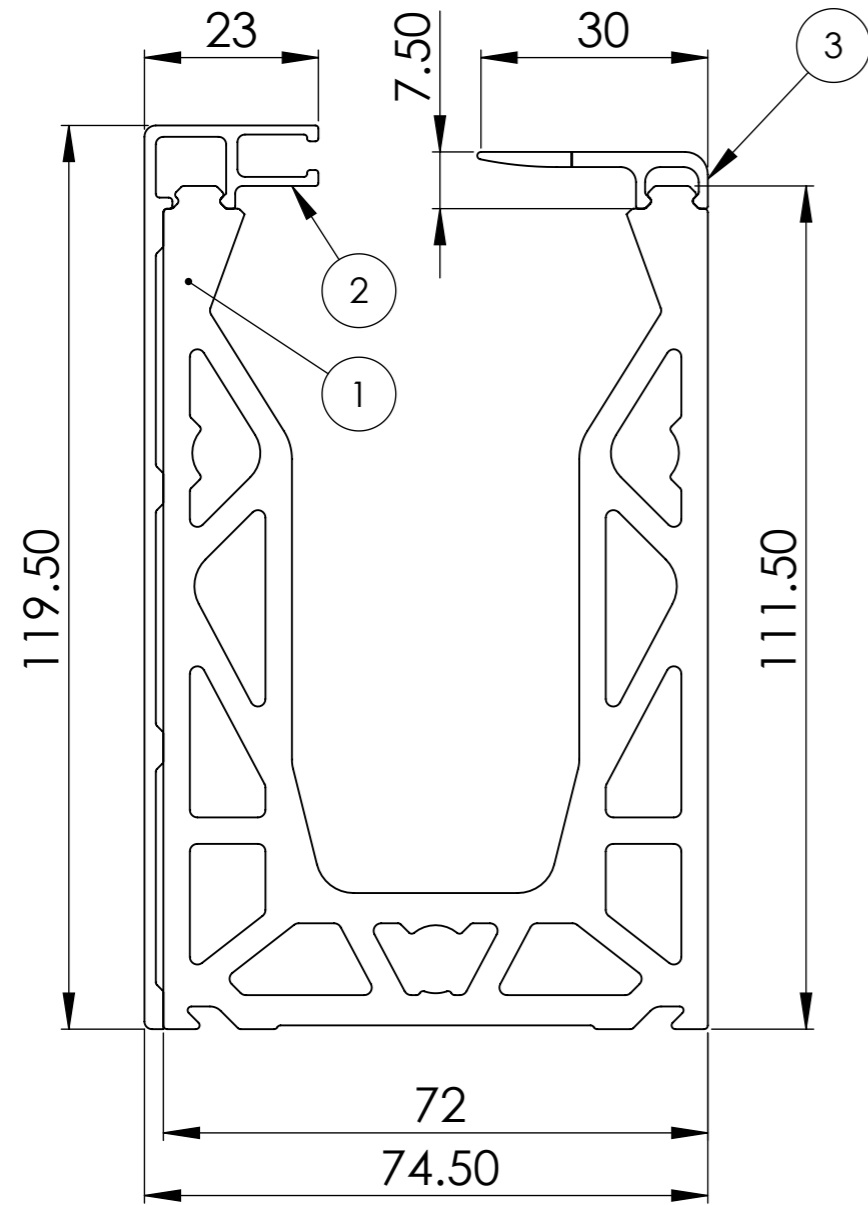


**Posi-Glaze Base Drilled Channel
Plastic Top Bead + Side Cladding**

PureVista Data Sheet		
	Product Code	Description
1	PGC-010	Posi-Glaze Base Drilled Channel
2	PGA-010	Side Cladding Aluminium
3	PGA-030P	Top Bead Plastic
4		



DO NOT SCALE
Units - Millimetres

Bolt Hole
Positioning

