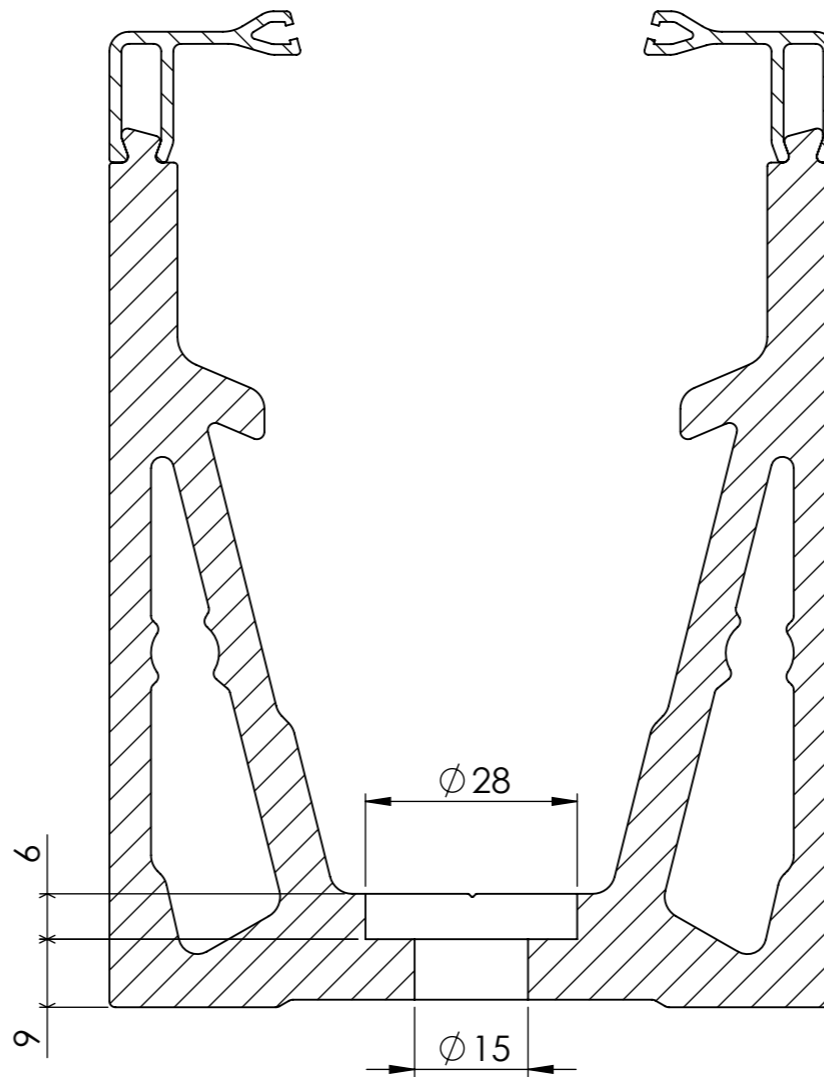
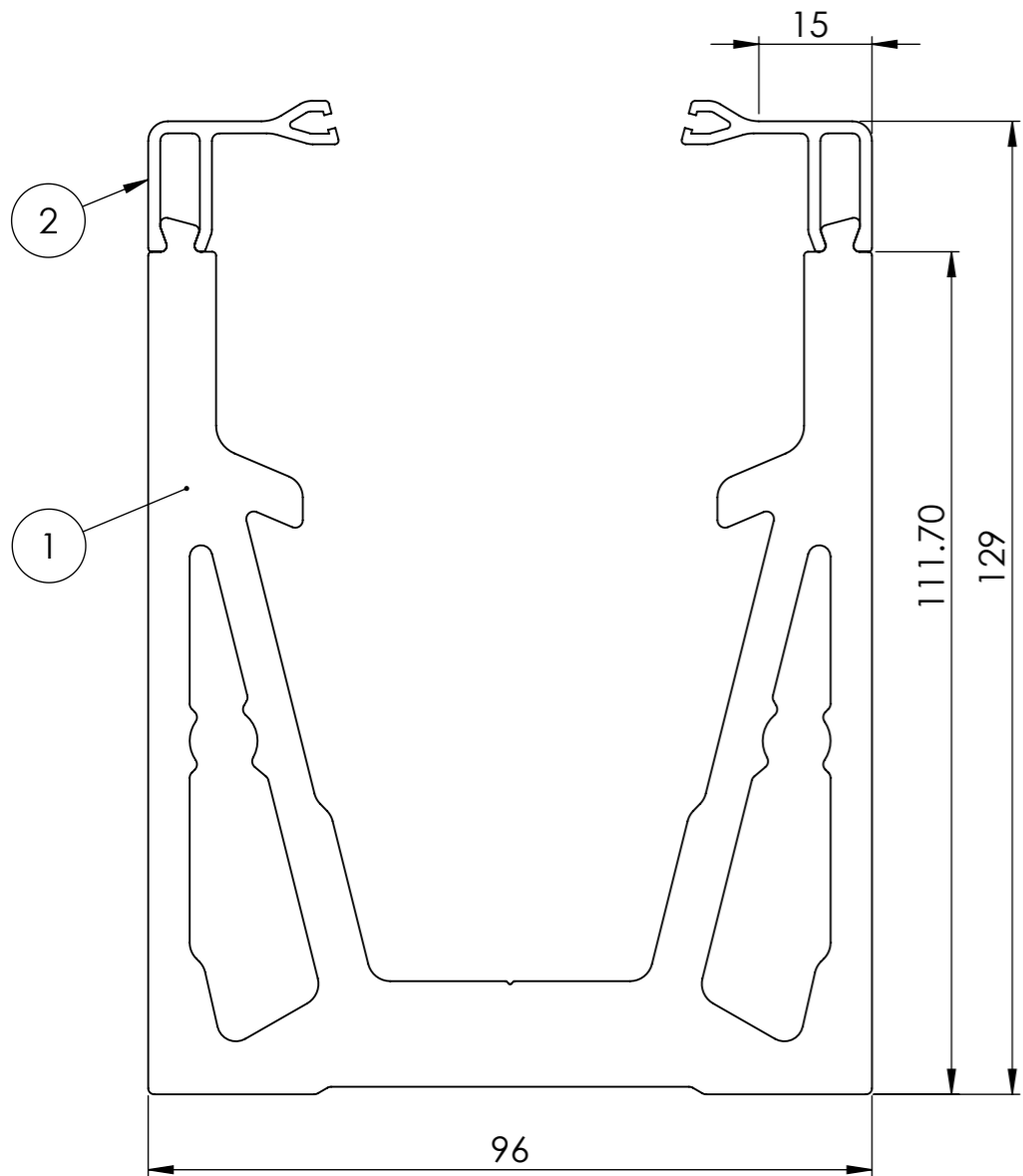


**MegaGrip Channel**  
**Top Bead (2)**

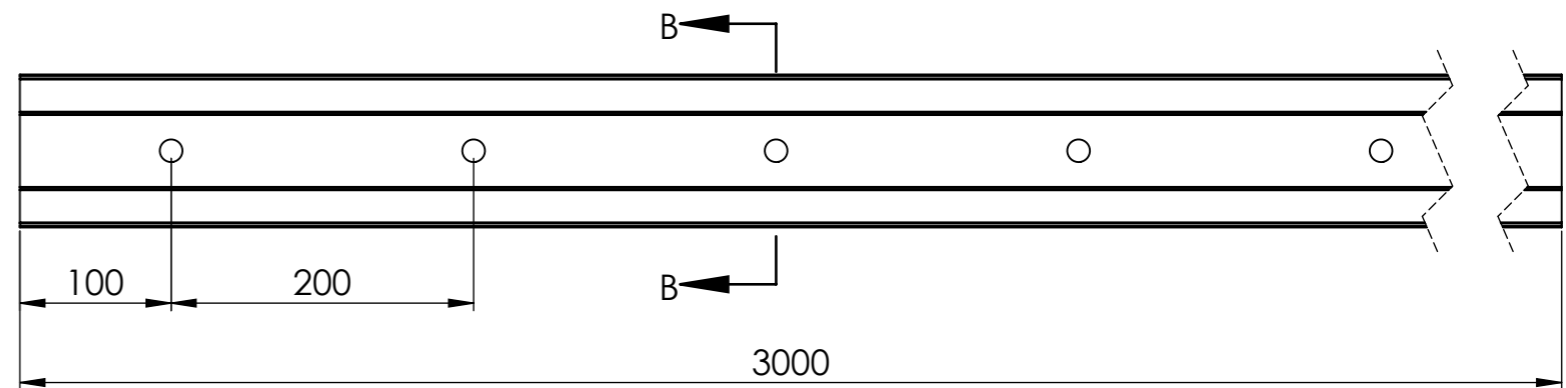
PureVista Data Sheet		
	Product Code	Description
1	MGC-010 MGC-010C	MegaGrip Channel
2	MGC-020	Top Bead Aluminium
3		
4		

DO NOT SCALE  
Units - Millimetres



SECTION B-B

Bolt Hole Positioning



SCALE 1:5