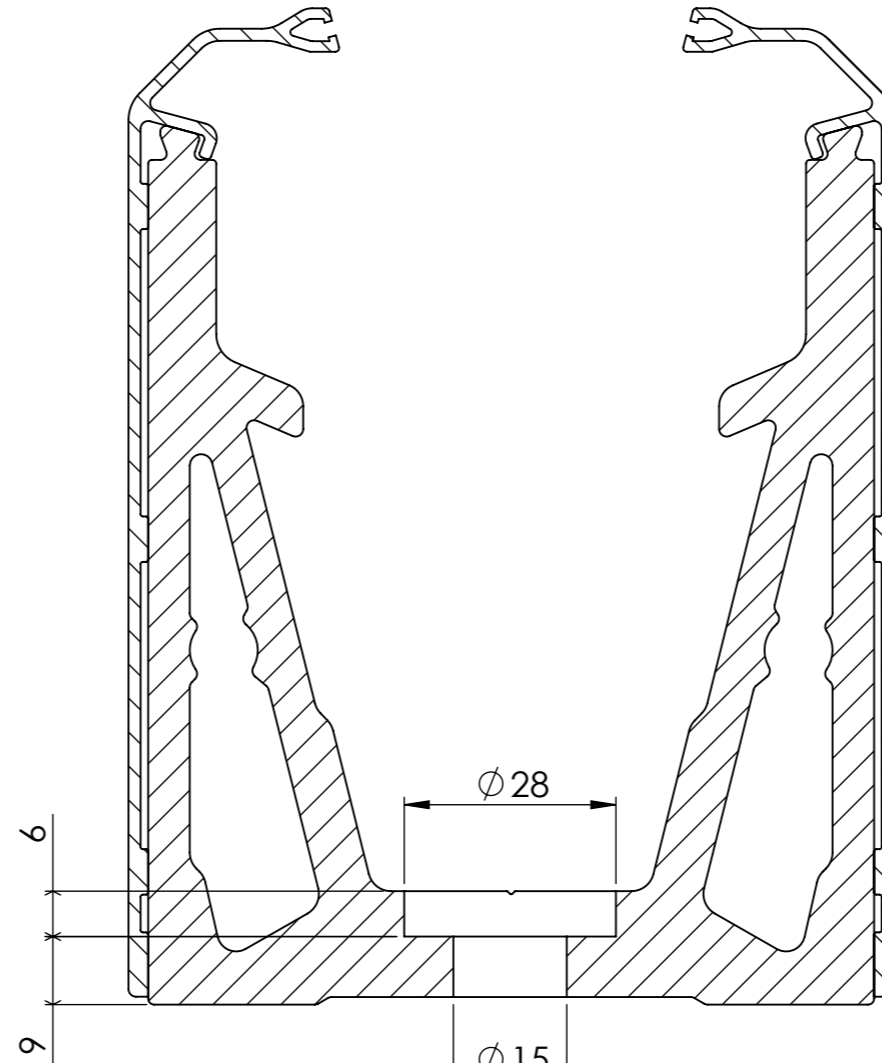
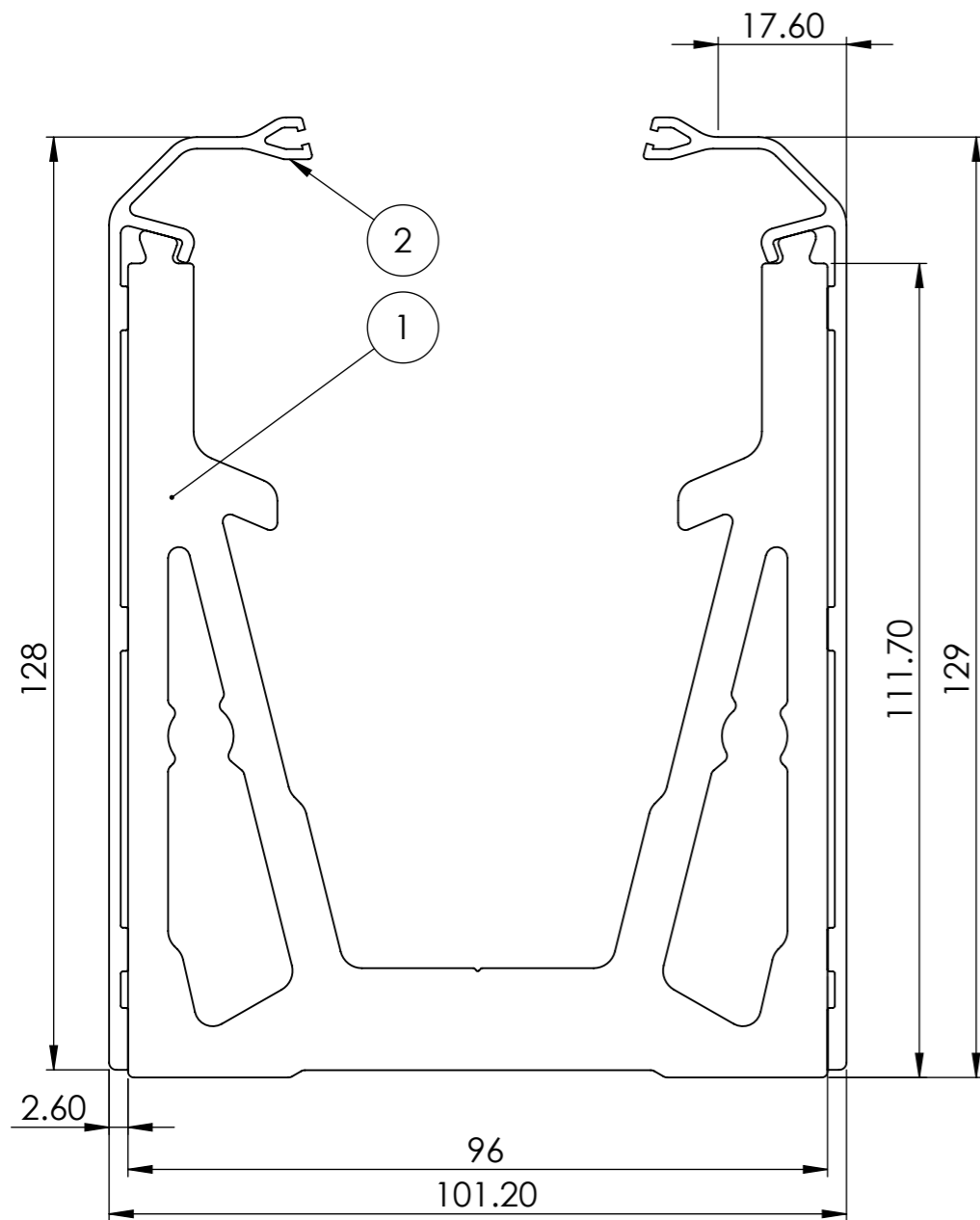


MegaGrip Channel
Side Cladding (2)

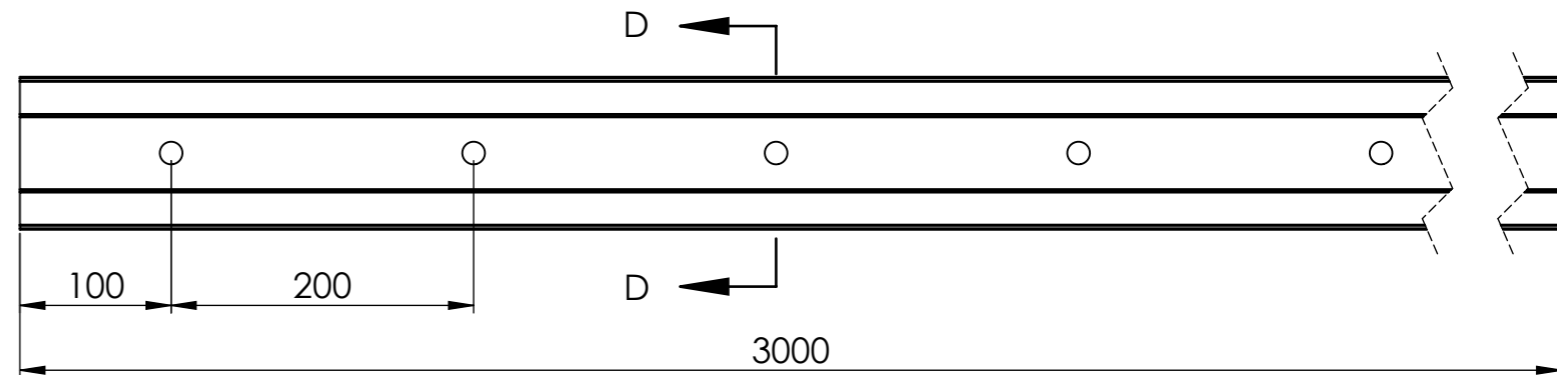


SECTION D-D

PureVista Data Sheet		
	Product Code	Description
1	MGC-010 MGC-010C	MegaGrip Channel
2	MGA-010	Side Cladding Aluminium
3		
4		

DO NOT SCALE
Units - Millimetres

Bolt Hole Positioning



SCALE 1:5