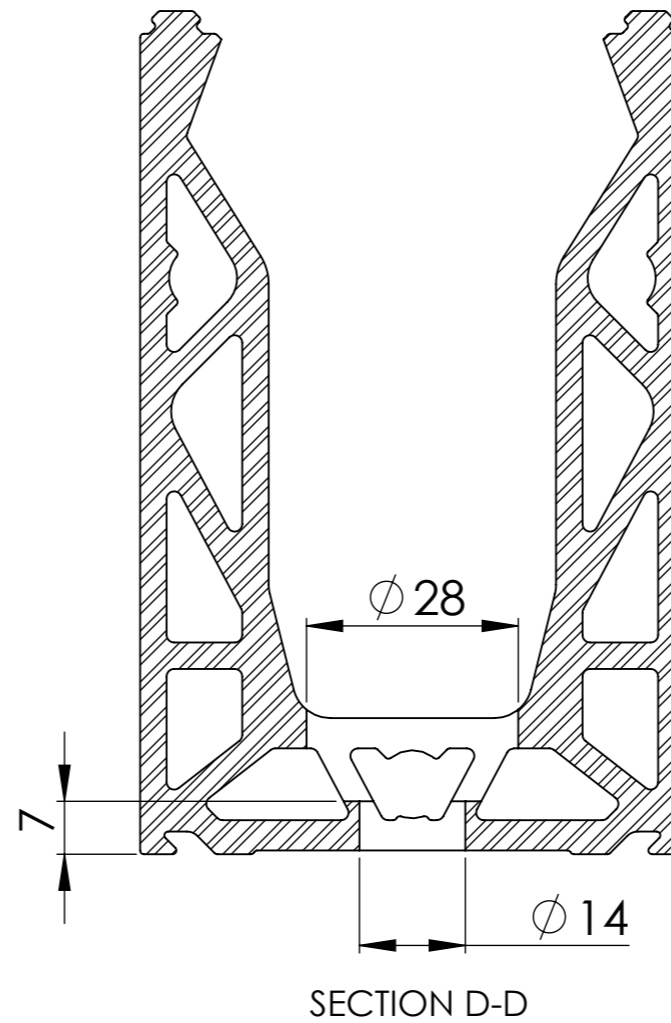
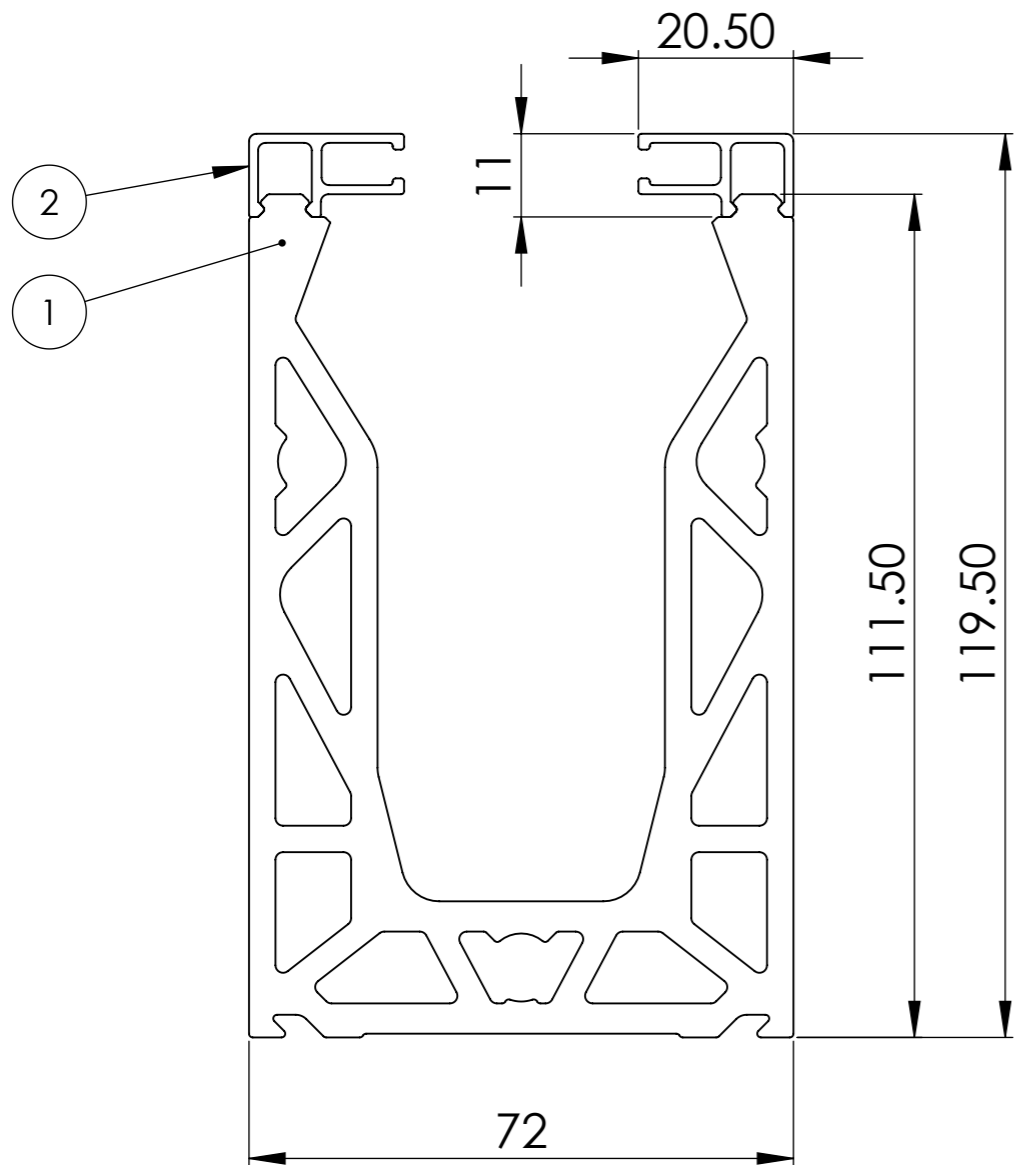


**Posi-Glaze Base Drilled Channel  
Top Bead (2)**

PureVista Data Sheet		
	Product Code	Description
1	PGC-010	Posi-Glaze Base Drilled Channel
2	PGA-030	Top Bead Aluminium
3		
4		

DO NOT SCALE  
Units - Millimetres



Bolt Hole  
Positioning

